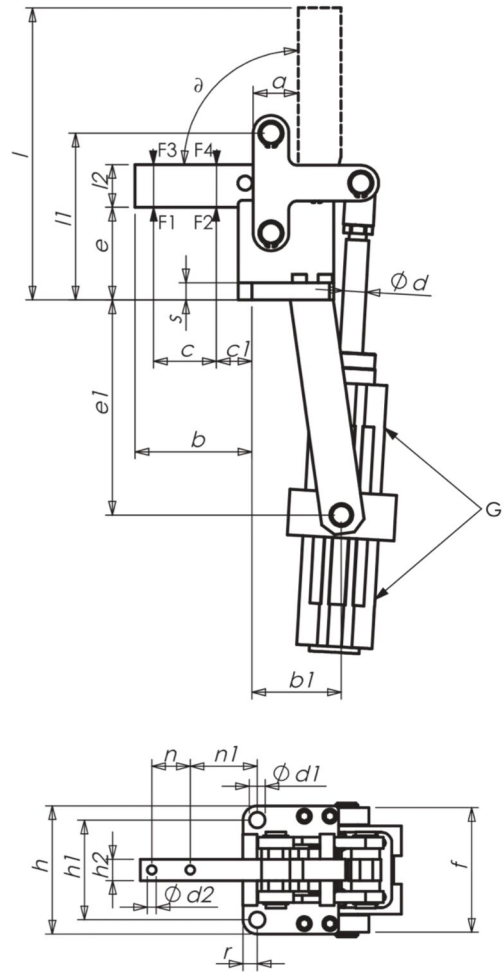




**P62 Heavy pneumatic toggle clamp**

**P62**

**Heavy pneumatic toggle clamp**

With vertical cylinder attachment  
Tempering steel, burnished. The axle bolts running in bearing bushes are tempered, ground and locked with circlips.  
With magnetic piston for end-position monitoring.  
The clamp is ready for installation.  
With double-acting pneumatic cylinder.  
Toggle clamp element P63



Order No	F1*** (kN)	F2 (kN)	F3* (kN)	F4* (kN)	F5 (kN)	hs**			
P62/4	6	9	1.5	2.2	0.75	1.0	172	340	5100
P62/6	12	18	2.5	3.5	1.00	1.8	195	286	72500
P62/8	20	30	4.0	6.0	1.80	4.3	272	470	16800

Order No	a	b	b1	c	c1	od	d1	d2	e	e1	f	h	h1	h2	l	l1	l2	n	n1	r	s	t	u	∂	Cylinder stroke piston-e	G	
P62/4	32	82	46	54	20	16	11	6.2	57	193	90	90	70	15	206	117	30	27	47	10	12	46	193	90°	74	40	G1/4
P62/6	29	91	48	60	22	20	13	8.2	69	221	100	107	83	20	226	137	40	26	54	12	15	48	221	90°	87	50	G1/4
P62/8	45	125	77	95	24.5	20	17	13.2	94	255	123	145	115	30	318	184	60	40	67	15	20	77	255	90°	120	63	G1/4