

P52 E Pneumatikspanner mit vertikalem Zylinderanbau

P50 E

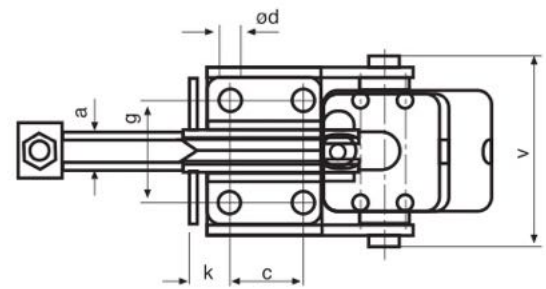
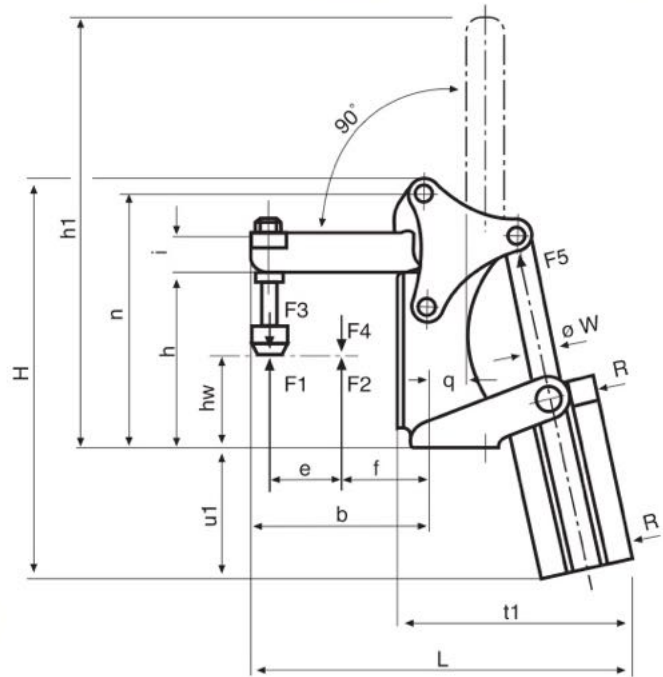


Pneumatic toggle clamp with vertical cylinder.

Space-saving angled form. Can be mounted vertically or horizontally. Fitted with pneumatic cylinder, double-acting, replaceable.

Magnetic piston for end-position monitoring.

- Adjustable speed.
- Clamp are galvanized and passivated.
- Stainless steel rivets running in case-hardened bushes.
- Bearings are pre-lubricated.
- Complete with tempered, galvanized clamping screw MS10/20 ve MS10Z



| Size | F1 (kN) | F2 (kN) | F3* (kN) | F4 (kN) | F5 (kN) | Vn** | Icon 1 | Icon 2 | Icon 3 | |
|------|------------|------------|-------------|------------|------------|------|--------|--------|---------|------|
| 2 | 1.0 | 1.2 | 0.7 | 1.0 | 0.30 | 0.26 | 170 | 130 | M6 x 35 | 800 |
| 3 | 1.4 | 2.5 | 0.6 | 1.1 | 0.50 | 0.35 | 205 | 160 | M8 x 45 | 1100 |
| 4 | 2.0 | 3.0 | 1.5 | 2.2 | 0.75 | 0.08 | 260 | 220 | M8 x 65 | 1600 |

| Size | a | b | c | ød | e | f | g | h | h1 | h3 | h4 | h5 | hw | i | k | n | q | t1 | u1 | v | øw | Sroke | Kolben-Ø | R |
|------|----|-----|------|-----|-----|----|------|-----|-----|----|------|------|-------|----|------|-----|----|-----|-----|----|----|-------|----------|-------|
| 2 | 6 | 56 | 12.5 | 5.5 | 27 | 24 | 27.0 | 65 | 145 | 16 | 12.5 | 12.5 | 37-46 | 12 | 16 | 94 | 8 | 90 | 70 | 62 | 10 | 42 | 25 | M5 |
| 3 | 8 | 82 | 16.0 | 6.5 | 412 | 30 | 25.4 | 72 | 185 | 18 | 16.0 | - | 38-50 | 18 | 16 | 108 | 13 | 105 | 90 | 70 | 12 | 52 | 32 | G 1/8 |
| 4 | 10 | 101 | 32.0 | 8.5 | 61 | 30 | 45.0 | 100 | 240 | 22 | 32.0 | 32.0 | 50-79 | 20 | 17.5 | 145 | 22 | 135 | 105 | 85 | 16 | 62 | 40 | G 1/8 |