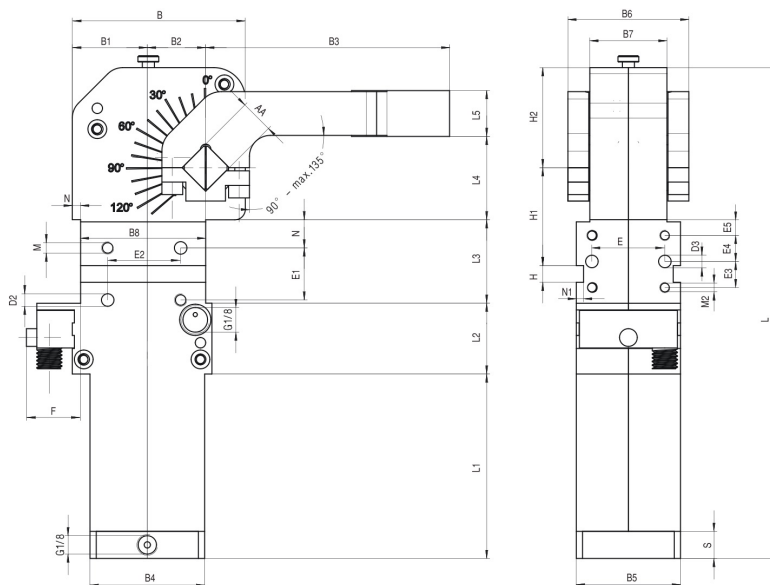
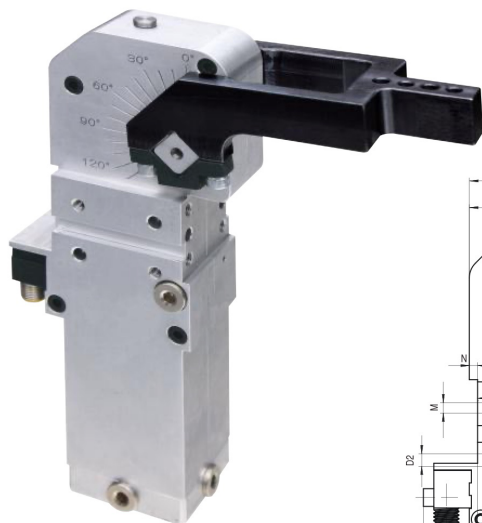


P30 Automations-Kraftspanner

P30

Pneumatic power clamps
Double acting / High Torque

- Modular design
- Compact design
- High holding torque
- Long life cycle
- Low weight (aluminium body)
- Wide range of clamping arm variants
- Adjustable opening angle without need for accessory parts 15°...135°
- Mounting areas at front, back and sides
- Toggle action mechanism
- Manual unlocking in case of pressure drop
- Inductive sensing module with LED display



Applications

Automotive manufacturing, sheet processing industry, jig and general mechanical engineering. Clamping, holding, gripping and positioning of metal sheets and other parts, mainly jigs and handling systems. Your best choice for carefully inserting and clamping components are the clamps with a handle lever.

Order No	Clamping Moment (Nm)	Holding Moment (Nm)	g
P30/32	55	180	1500
P30/40	120	380	2300

Max. operating pressure 6 bar.

Order No	AA	B	B1	B2	B3	B4	B5	B6	B7	B8	D	D1	D2	D3	E	E1	E2	E3	E4	E5	F	H	H1	H2	K	K1	K2	K3	K4	L	L1	L2	L3	L4	L5	M	M2	N	N1	N2	R	S
P30/32	11	74	31	22	105	42	42	60	34	51	7	6	6	6	20	20	30	10	10	5	39	8	48	36	79	10	10	10	6	209	82.5	30	36	61	20	M5	M5	17	3.5	2	11.5	-
P30/40	16	83	36	28	117	55	50	58	37	60	7	6	6	6	35	25	35	12.5	12.5	7.5	26	8	47	48	90	10	10	10	7	235.5	88.5	34	40	40	22	M6	M6	13.5	3.5	4	16	13