
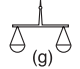


Referenz-Nr. Order No.		h		s	s1	e1	d	SW	L	e	b	c	k	Spannkraft Clamping Force Kgf	 (g)
		min	max												
1120-010 M	M10	0	50	12-66	25	100	M14	8	104	35.5	38	13	20	1600	1700
1120-012 M	M12	0	50	12-66	25	100	M14	8	104	35.5	38	13	20	1600	1700
1130-012 M	M12	0	60	15-83	30	113	M18	10	130	39	48	17.5	22	2000	3000
1130-016 M	M16	0	60	15-83	30	113	M18	10	130	39	48	17.5	26	2000	3030

1120

- Für Gewinde M12-M16 Imbusschraube 1120-310 / 1120-312 verwenden
- Spannhöhe 0-50 mm
- Spannkraft 1600 kg

1130

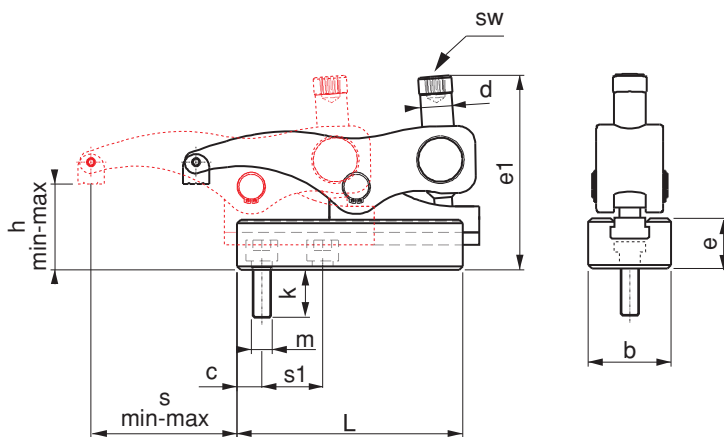
- Für Gewinde M12-M16 Imbusschraube 1130-412 / 1130-416 verwenden
- Spannhöhe 0-60 mm
- Spannkraft 2000 kg

1120

- In the outer holes M12-M16 are used with the Reference Nr. imbus bolt (1120-310)-(1120-312)
- Height clamping gap of the piece is 0-50mm
- Clamping Force is 1600 kgf.

1130

- In the outer holes M12-M16 are used with the Reference Nr. imbus bolt (1130-412)-(1130-416)
- Height clamping gap of the piece is 0-60mm
- Clamping Force is 2000 kgf.



VORTEILE;

- Spannkraft 1600 kg - 2000 kg
- Verwendung in Löchern und T-Kanal
- Mit verschieben unterschiedliche Positionierungen möglich
- Unterschiedliche Spannweiten mittels Imbusschraube ohne Stütze
- Praktische Bauart ermöglicht einfaches und schnelles Spannen

ADVANTAGES

- 1600 kgf - 2000 kgf Clamping Force.
- Usings in the hole and "T" channel.
- Ability to be fixed in various positions by sliding on the slide.
- It clamps high and low distances without support with the imbus bolt.
- It provides rapid and easy connection due to its practical structure.

