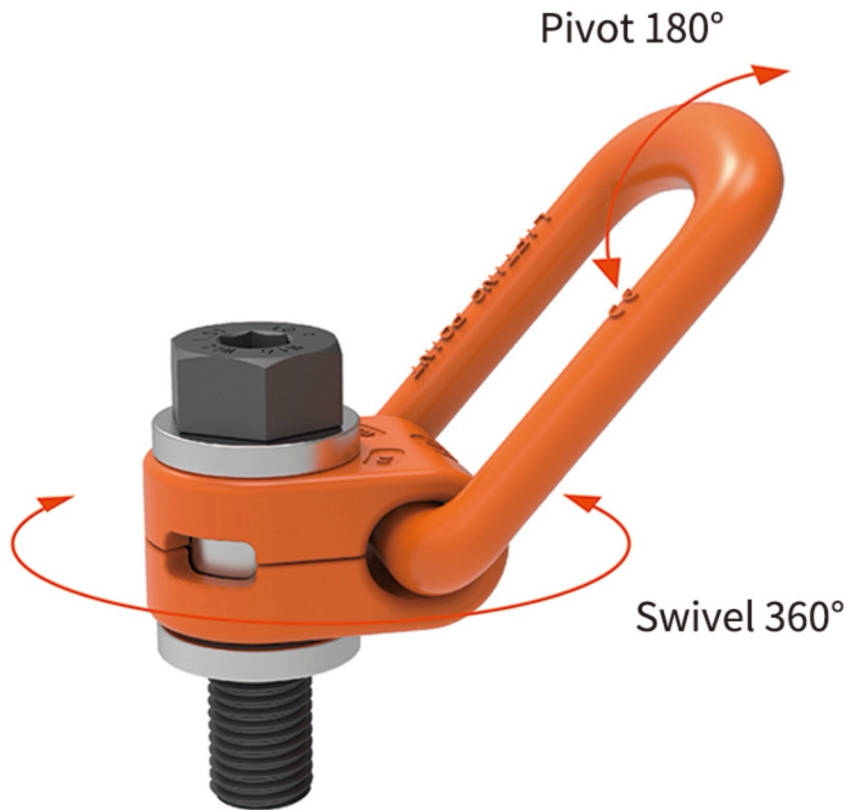


LIFTING POINT

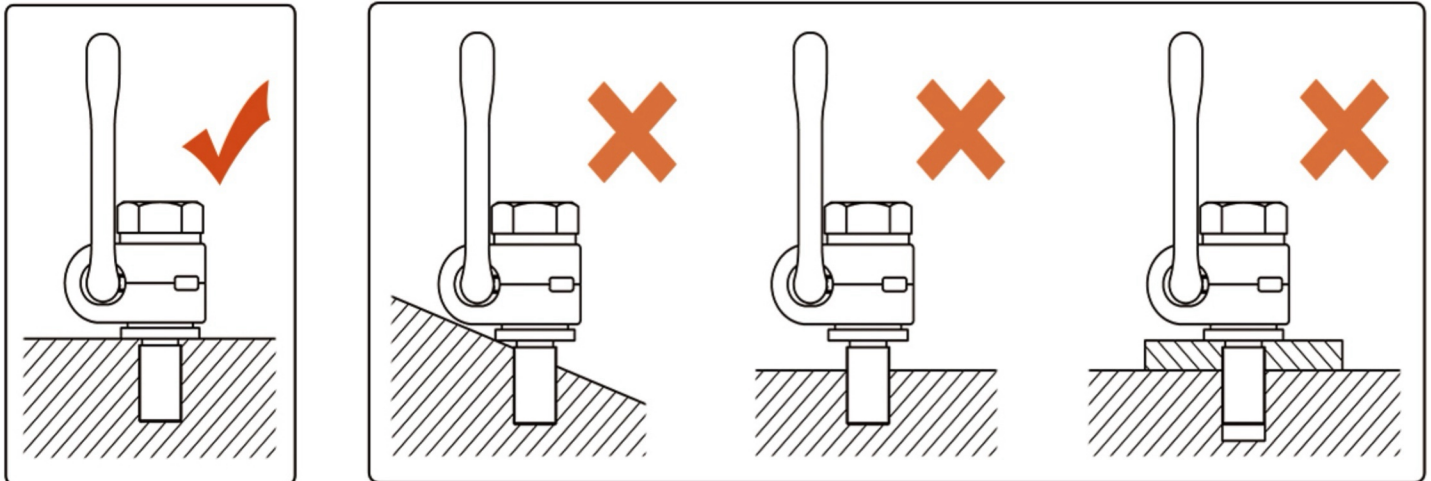


OPERATION NOTE

- 1、 Lifting point are not used for long-term bearing capacity; it can not swivel for long time.
- 2、 During the lifting process, it is forbidden to swing and sway the sling, and the lifting must be moved at a constant speed and slowly.
- 3、 When the lifting process slips and slides, please stop using it immediately.
- 4、 When the hoist ring uses in the chemical environment, please consult the manufacturer.
- 5、 If it found that hoist ring of corrosion, cracks, abrasion, bending, deformation, or damage, it is prohibited to use Continually.

Installation instruction

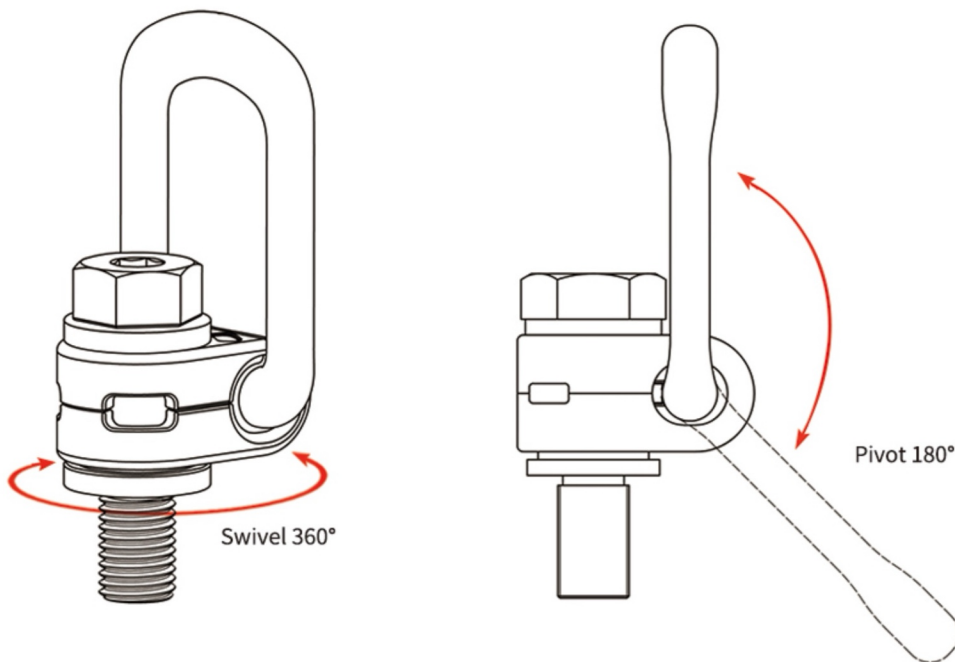
- 1.The threaded hole of the lifting object must be perpendicular to the surface of the object,and the thread size matches the lifting point.
- 2.The bottom of the lifting point must be tightly attached to the lifting object,to prevent gaps from causing large bending moments and to prevent from reducing the life of the lifting point.
- 3.Prohibited to put gasket or other fittings between the lifting point and the lifting object,or remodel the lifting point.



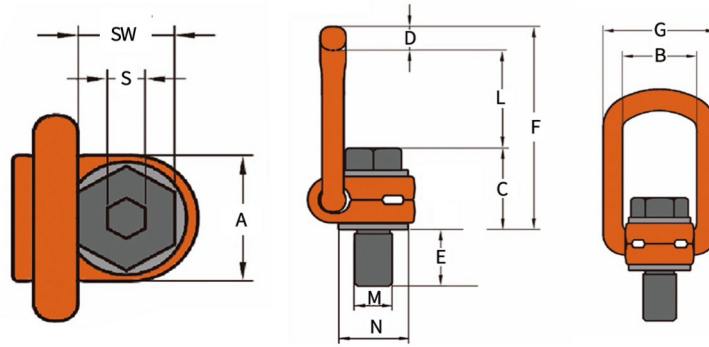
- 4.The lifting point must be mounted on a hard metal surface such as steel or iron,It is forbidden to be installed on soft materials such as wood boards and cement.
5. Choosed the right lifting tool to match with lifting point, and ensure that the direction of force is appropriate.
- 6.The lifting point must be mounted at the center of gravity or symmetrically mounted around the center of gravity.
- 7.After the lifting point is installed,when the lifting point is forced, the lifting point cannot interfere or obstruct the suspended object.

Inspection and maintenance









1. Please check the appearance before using the lifting point, if it found that signs of corrosion, cracks, abrasion, bending, deformation, or damage, it is prohibited to use continually.
2. Before using the lifting point, please check if the swivel and pivot are smooth, lifting point should be swivel 360° with pivot 180° .
3. Before using the lifting point, please check if the thread and threaded hole are properly fitted, and whether the bolts are locked.
4. Regularly inspect the lifting point crack.
5. Please keep the product clean and proper use environment.



! According to the weight of the lifting object and the lifting plan, strictly follow the product working load form and select the appropriate model.



NO.	WLL/t	SPEC	parameters mm										Locking torque		U.W/ kg
			E	A	B	C	D	F	G	L	N	S	SW	Nm	
M8	0.3	M8×1.25	11	34	37	42	14	98.5	57	42.5	31	6	13	10-40	0.5
M10	0.63	M10×1.5	16	34	37	44	14	98.5	57	40.5	31	6	16	10-40	0.5
M12	1	M12×1.75	18	34	37	45	14	98.5	57	39.5	31	8	18	15-40	0.5
M14	1.2	M14×2.0	21	34	37	48	14	98.5	57	36.5	31	10	24	30-100	0.5
M16	1.5	M16×2.0	24	34	37	48	14	98.5	57	36.5	31	10	24	45-130	0.5
M18	2	M18×2.5	26	50	54	58	16.5	143	82	68.5	45	12	30	100-170	1.5
M20	2.5	M20×2.5	30	50	54	58	16.5	143	82	68.5	45	12	30	100-170	1.5
M22	3	M22×2.5	30	50	54	61	16.5	143	82	65.5	45	14	36	100-170	1.5
M24	4	M24×3.0	36	50	54	61	16.5	143	82	65.5	45	14	36	190-280	1.5
M27	4	M27×3.0	38	60	65	82	22	170	99	66	59	17	46	250-500	3
M30	5	M30×3.5	48	60	65	82	22	170	99	66	59	17	46	270-600	3.5
M33	6	M33×3.5	54	60	65	85	22	170	99	63	59.5	22	55	270-600	3.5
M36-S	7	M36×4.0	54	60	65	85	22	170	99	63	59.5	22	55	270-600	3.5
M36-B	8	M36×4.0	62	77	85	104	27	226.5	123	95.5	69	22	55	270-600	6
M39	8	M39×4.0	62	77	85	104	27	226.5	123	95.5	69	22	55	350-800	6
M42-S	10	M42×4.5	72	77	85	106	27	226.5	123	93.5	69	22	65	350-800	6.5
M42-B	15	M42×4.5	63	95	104	117	36	257.5	158	104.5	98	22	65	350-800	11
M45	15	M45×4.5	63	95	104	117	36	257.5	158	104.5	98	22	65	350-800	11
M48	20	M48×5.0	72	95	104	120	36	257.5	158	101.5	98	27	75	350-800	12
M52	20	M52×5.0	72	95	104	117	36	257.5	158	104.5	98	27	75	350-900	12
M56	22	M56×5.5	84	95	104	117	36	257.5	158	104.5	98	27	85	350-900	15
M64	22.5	M64×6.0	100	114	104	138	36	266	158	92	109	32	95	500-1000	16.3

Lifting solution										
	1	2	1	2	0-45°	45-60°	Asymmetric	0-45°	45-60°	Asymmetric
Number of leg										
Load direction	0°	0°	90°	90°	Lifting load/t					
Product model										
M8	0.3	0.6	0.3	0.6	0.42	0.3	0.3	0.63	0.45	0.3
M10	0.63	1.26	0.63	1.26	0.88	0.63	0.63	1.32	0.95	0.63
M12	1	2	1	2	1.4	1	1	2.1	1.5	1
M14	1.2	2.4	1.2	2.4	1.7	1.2	1.2	2.5	1.8	1.2
M16	1.5	3	1.5	3	2.1	1.5	1.5	3.1	2.2	1.5
M18	2	4	2	4	2.8	2	2	4.2	3	2
M20	2.5	5	2.5	5	3.5	2.5	2.5	5.2	3.7	2.5
M22	3	6	3	6	4.2	3	3	6.3	4.5	3
M24	4	8	4	8	5.6	4	4	8.4	6	4
M27	4	8	4	8	5.6	4	4	8.4	6	4
M30	5	10	5	10	7	5	5	10.5	7.5	5
M33	6	12	6	12	8.5	6	6	12.7	9	6
M36-S	7	14	7	14	9.8	7	7	14.7	10.5	7
M36-B	8	16	8	16	11.2	8	8	16.8	12	8
M39	8	16	8	16	11.2	8	8	16.8	12	8
M42-S	10	20	10	20	14	10	10	21	15	10
M42-B	15	30	15	30	21	15	15	31.5	22.5	15
M45	15	30	15	30	21	15	15	31.5	22.5	15
M48	20	40	20	40	28	20	20	42	30	20
M52	20	40	20	40	28	20	20	42	30	20
M56	22	44	22	44	30.8	22	22	46.2	33	22
M64	22.5	45	22.5	45	31.5	22.5	22.5	47.25	33.75	22.5