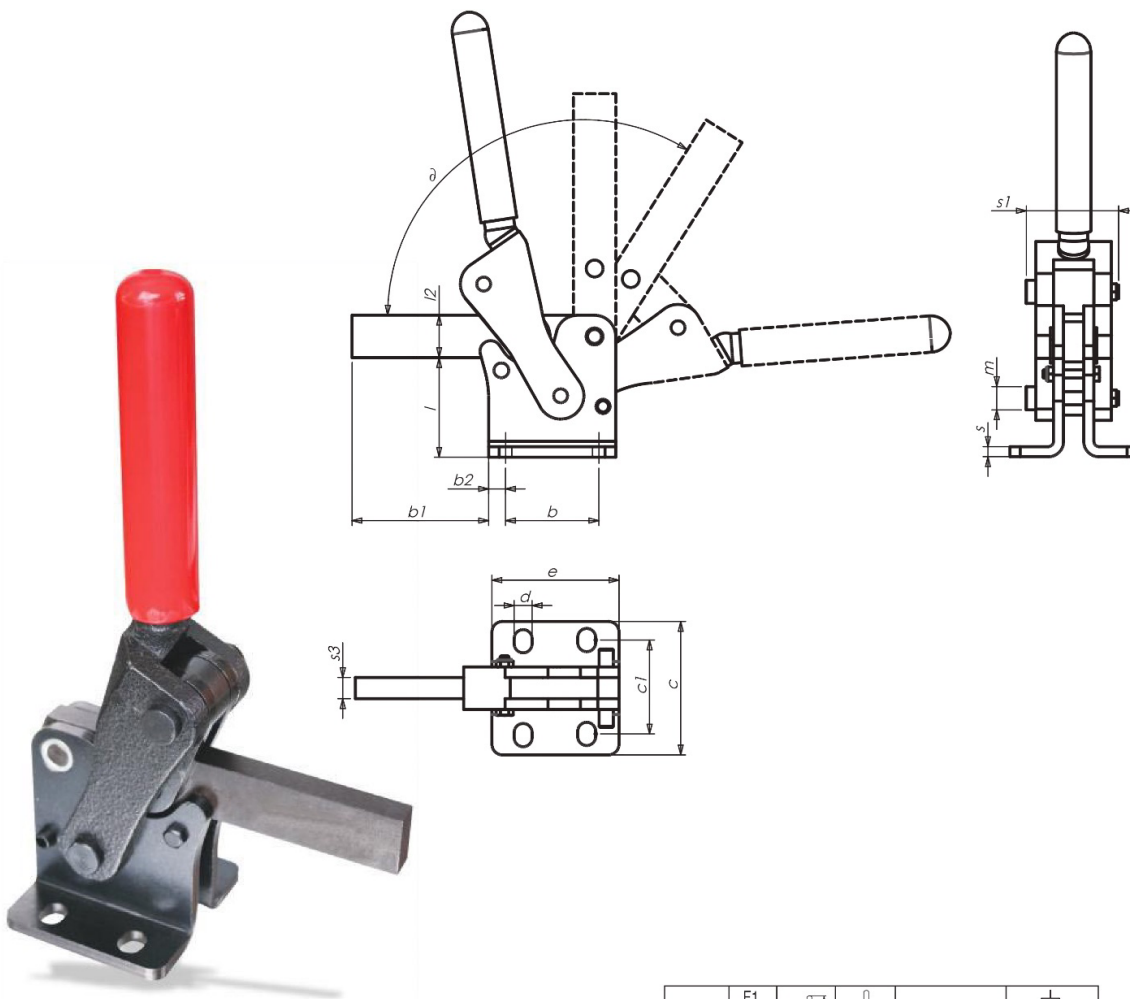


M33 Schwerer Senkrechtspanner – schwere Ausführung

M33

Heavy vertical acting toggle clamps with horizontal base

Reamed and case-hardened bearing bushes. Hardened, ground and permanently-lubricated pins.
Clamp nuts on lever arm to vary friction in movement.
Material : 4140 tempered
Lever arm made of cast steel, blued. Handle of red, oil-resistant plastic.



Order No	F1 (kN)				
M33/2	2.5	127	85	M6 x 50	320
M33/4	7.0	218	148	M12 x 80	970
M33/6	10.0	265	182	M12 x 110	1750

Order No	b	b1	b2	c	c1	d	e	l	l2	m	s	s1	s3	∅
M33/2	20	39.7	8.5	47	32	6.5	37	24.8	15	M6	3	31	6	120°
M33/4	30	70	15	63	44	8.5	60	47	20	M8	5	46	10	120°
M33/6	45	95	15	75	52	10.5	75	67	25	M10	5	60	12	120°