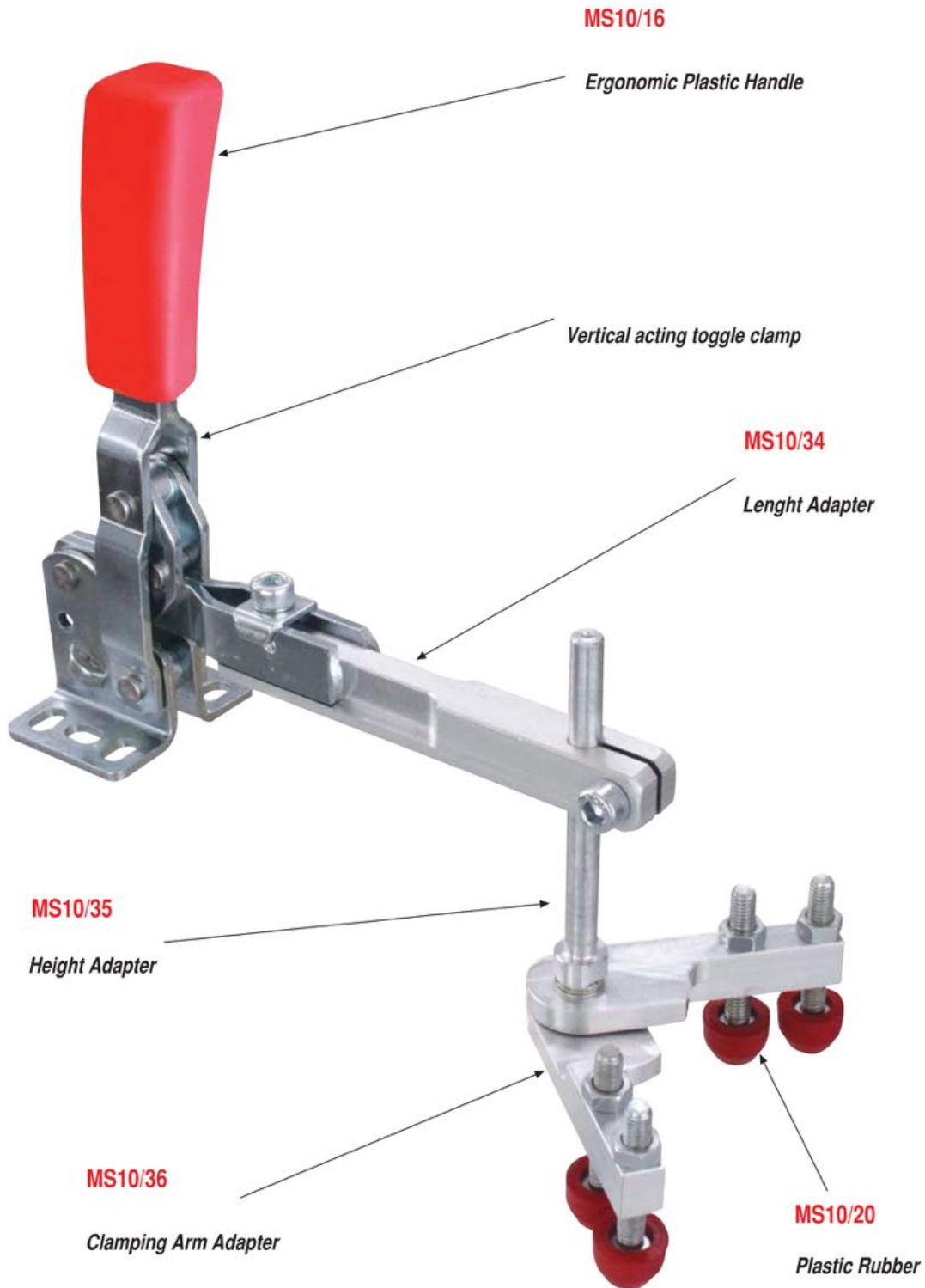


MS10 Schnellspanner - ZUBEHÖR

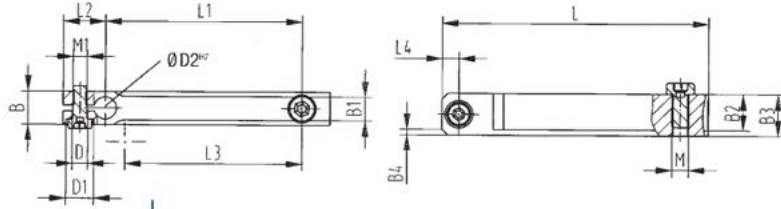


MS10 Schnellspanner - ZUBEHÖR

MS10/34

Lenght Adapter

Size	B	B1	B2	B3	B4	øD	øD1	øD2	L	L1	L2	L3	L4	M	M1
2	12	6.5	9	12	2x45°	5.5	10	6	95	70	15	48	6	M5	M5
3	15	9	12	15	2x45°	5.5	10	6	95	70	15	78	6	M5	M5

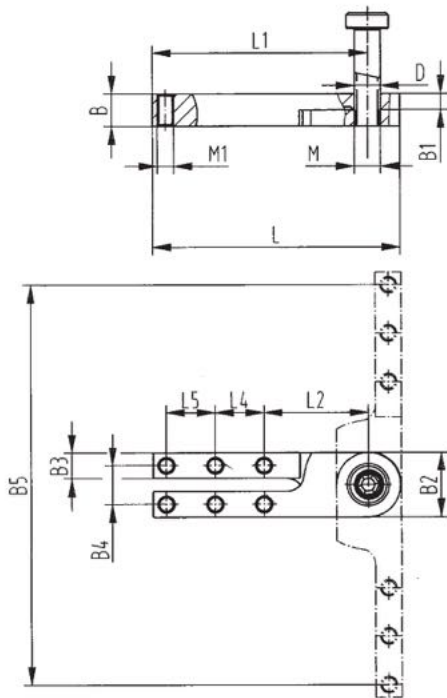


MS10/36

Clamping Arm Adapter



Size	B	B1	B2	B3	B4	B5	øD	L	L1	L2	L4	L5	L6	M	M1
2-3	10	6	20	8	12	92	6	60	51	32	15	15	10	M5	M5

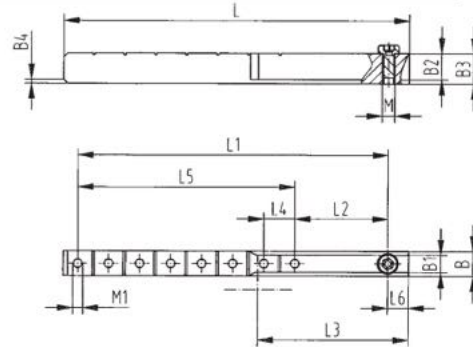


MS10/32

Arm Extension



Size	B	B1	B2	B3	B4	L	L1	L2	L3	L4	L5	L6	M	M1
2	12	6.5	9	12	2x45°	127	110	35	48	15	75	10	M5	M5
3	15	8.5	12	15	2x45°	167	150	45	73	15	105	10	M5	M5
4	17	9	16	20	2x45°	220	200	45	73	15	105	10	M8	M8

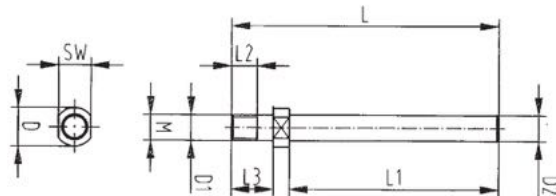


M10/35

Height Adapter



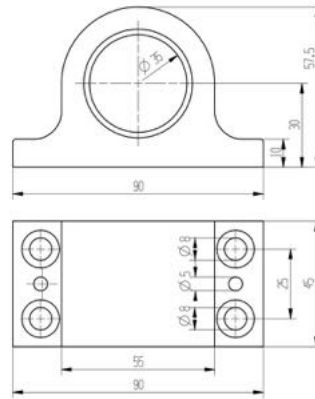
Size	øD	øD1	øD2	L	L1	L2	L3	SW	M
2-3	10	6	6	52 82	35 65	8	12	8	M6



Schnellspanner - ZUBEHÖR

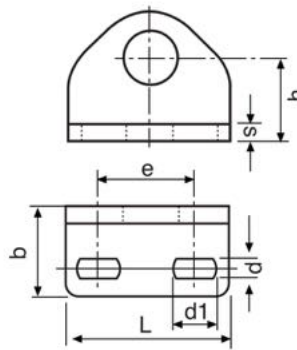
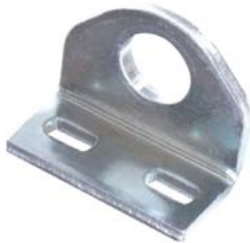
MS68/I

Toggle Clamp for Stand



MS60/I

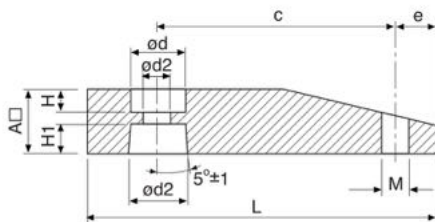
Toggle Clamp for Stand



Size	d	d1	e	L	b	h	s
0	4.5	4.5	16	25	16	12	2.5
1	4.5	6.5	17.5	30	20	15.5	3
2	5.5	8	34	50	28	22	4
3	6.5	12	36	60	31.5	26	5
5	8.5	17	37	65	36	30	6

PS20/4

Clamp arm



Size	A	H	H1	C	L	e	od	od1	od2	M
32	20	8	9	59	80	9.5	13.5	15.5	8.5	M8
40	19	8	9	64	90	14.5	13.5	15.5	8.5	M8
50	25	10.5	10	78.5	105	9.5	17	19.5	11	M12
63	25	9	10	90	115	9.5	19	19.5	11	M12

Fitting and removing clamping arm



Fitting clamping arm

Hold clamping arm with spanner. Tighten /loosen screw

Removing clamping arm

Loosen clamping arm from piston rod.

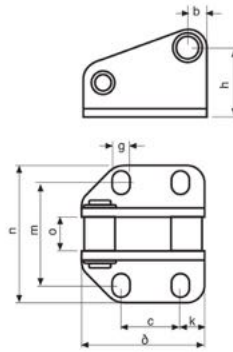
Caution : Do not strike sides of clamping arm.

Schnellspanner - ZUBEHÖR

MS46/I



Counter catch
Galvanized and passivated.
Bushes case hardened and greased; rivets of stainless steel.

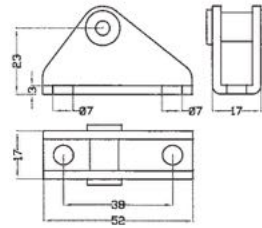


Size	b	c	h	g	k	l	m	n	o
1	6	19	22.5	4.5	6	31	28	41	6.8
3	6	19	23.0	5.5	13	31	32-35	46	10.8
5	12	29	49.0	11.0	13	31	60	89	13.7

MS46K/I



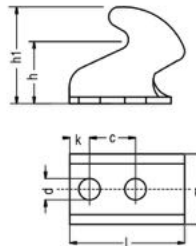
Counter catch
Galvanized and passivated.
Bushes case hardened and greased; rivets of stainless steel.



MS40/5



Counter catch
Galvanized and passivated.
Bushes case hardened and greased; rivets of stainless steel.

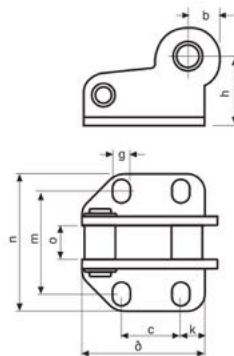


Size	d	c	k	l	m	h	h1
1	4.5	10	5	20	13.5	12	17.5
2	5.5	11	7.5	26	16	15	20
3	6.5	14	6	35	21.5	19	29
4	8.5	19	8	47	28	25	39

MS40S/I



Counter catch
Galvanized and passivated.
Bushes case hardened and greased; rivets of stainless steel.

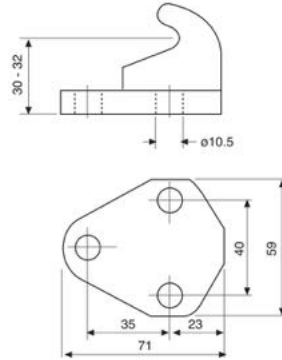


Size	b	c	h	g	k	l	m	n	o
3	6	19	24	5.5	13	41	32-35	43	6.8

Schnellspanner - ZUBEHÖR

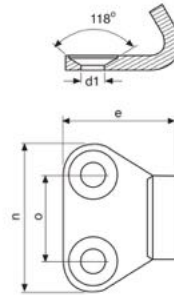
MS44/3

Counter catch



MS52/3

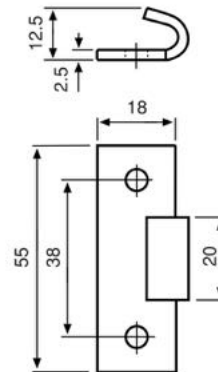
Counter catch
Galvanized and passivated.
Bushes case hardened and
greased; rivets of stainless steel.



Size	d1	n	e	o
2	4.3	25	21	14
4	5	30	23	17

MS50/3

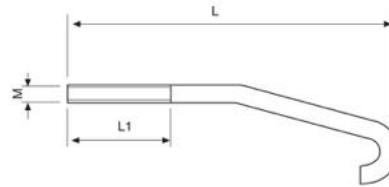
Counter catch
Galvanized and passivated.
Bushes case hardened and
greased; rivets of stainless steel.



Schnellspanner - ZUBEHÖR

MS46/3

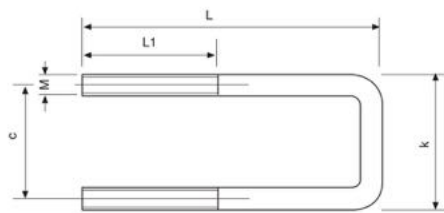
Catch



Size	M	L1	L
1	M6	30	86
3	M8	50	142
5	M12	107	186

MS40/4

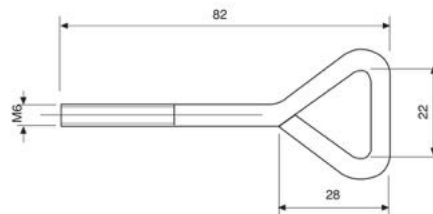
Catch



Size	L	L1	c	k
M4	55	25	19	23
M4	83	52	24	28
M5	85	40	25	30
M6	112	67	31	37
M8	146	87	42	50
M10	130	60	44.5	54.5
M10	170	80	54	64

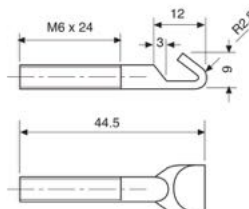
MS52/4

Catch



MS50/5

Catch



Schnellspanner - ZUBEHÖR

MS10/20

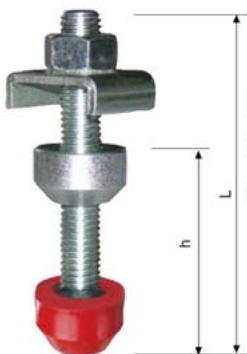
Clamping Screws
Stainless Steel



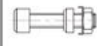

**Gummifuß leer
Kann an die
Andrückschraube
montiert werden.**



**Gummifuß leer
Kann an die
Andrückschraube
montiert werden.**



**Gummifuß voll,
bildet eine Einheit mit
der Andrückschraube .**

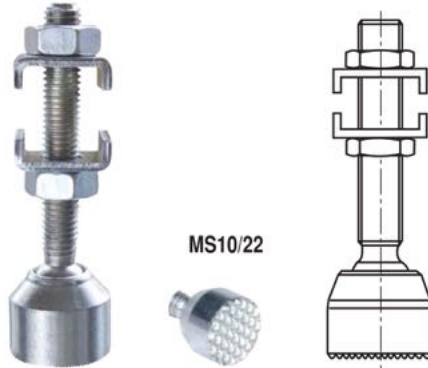
Size		h	L	 g
0	M4 x 25	18.5	31	7.70
1	M5 x 30	22	38	13.80
2	M6 x 35	25	43	19.80
3+4	M8 x 45	29	57	44.20
	M8 x 65	47	77	63.30
5	M12 x 80	56	97	165.40

Auf Wunsch auch in rostfreiem Stahl produzierbar !

Schnellspanner - ZUBEHÖR

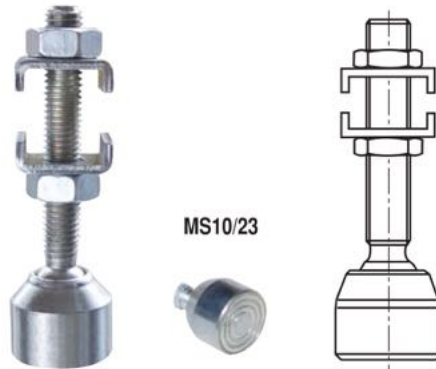
MS10/22

Clamping Screw
Stainless Steel



MS10/23

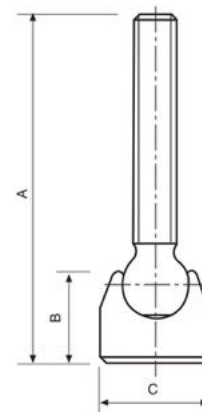
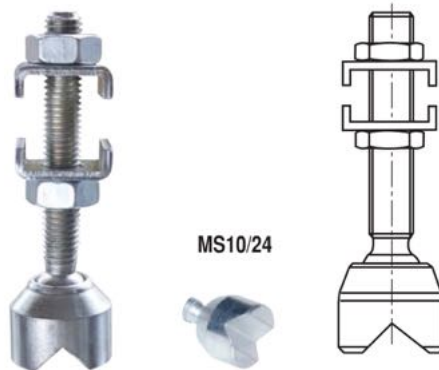
Clamping Screw
Stainless Steel



Size		A	B	C
2	M6	53.5	13	ø16
3	M8	64.5	17	ø20
4	M10	86	21	ø26.5
5	M12	98	24	ø30

MS10/24

Clamping Screw
Stainless Steel



Schnellspanner - ZUBEHÖR

MS10/16

Plastic Handle

MS10/16E



Size : (0 - 4)

MS10/16C



Size : (5, 5+7)

MS10/16Y







Size : (0 - 5)

MS10/15

Plastic Rubber Nose

Of oil resistand rubber to prevent damage to delicate components.

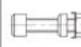





Size				
				g
0	M4	11	8.5	1
1	M5	12	9	1
2	M6	15	11.5	2
3	M8	19	14	4
4	M10	24	17	6
5	M12	25	20	8

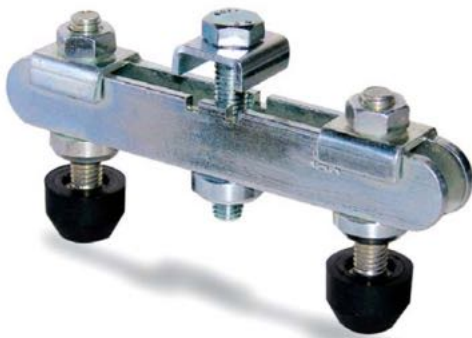
MS10/30

Supporting arm for toggle clamps

Galvanized and passivated, complete with two clamping screw no.891 and fastening screw.

Size				
				g
1	M5 x 30	22 - 72	85	65
2	M6 x 35	28 - 85	100	90
3	M8 x 45	34 - 100	120	200
4	M8 x 65	40 - 125	150	370
5	M8 x 65	40 - 125	150	370

Item no. of toggle clamps	Size						
	0	1	2	3	4	5	6
M10	-	1	2	3	4	-	5
M11	-	1	2	3	4	-	5
M12	-	1	2	3	4	-	5
M20	-	1	2	3	4	5	-
M21	-	1	2	3	4	5	-
M22	-	-	-	3	-	-	-



Ersatzteile, Vorrichtungen und Formenbau im Kundenauftrag

spare parts.. moulds.. some of our speciales

