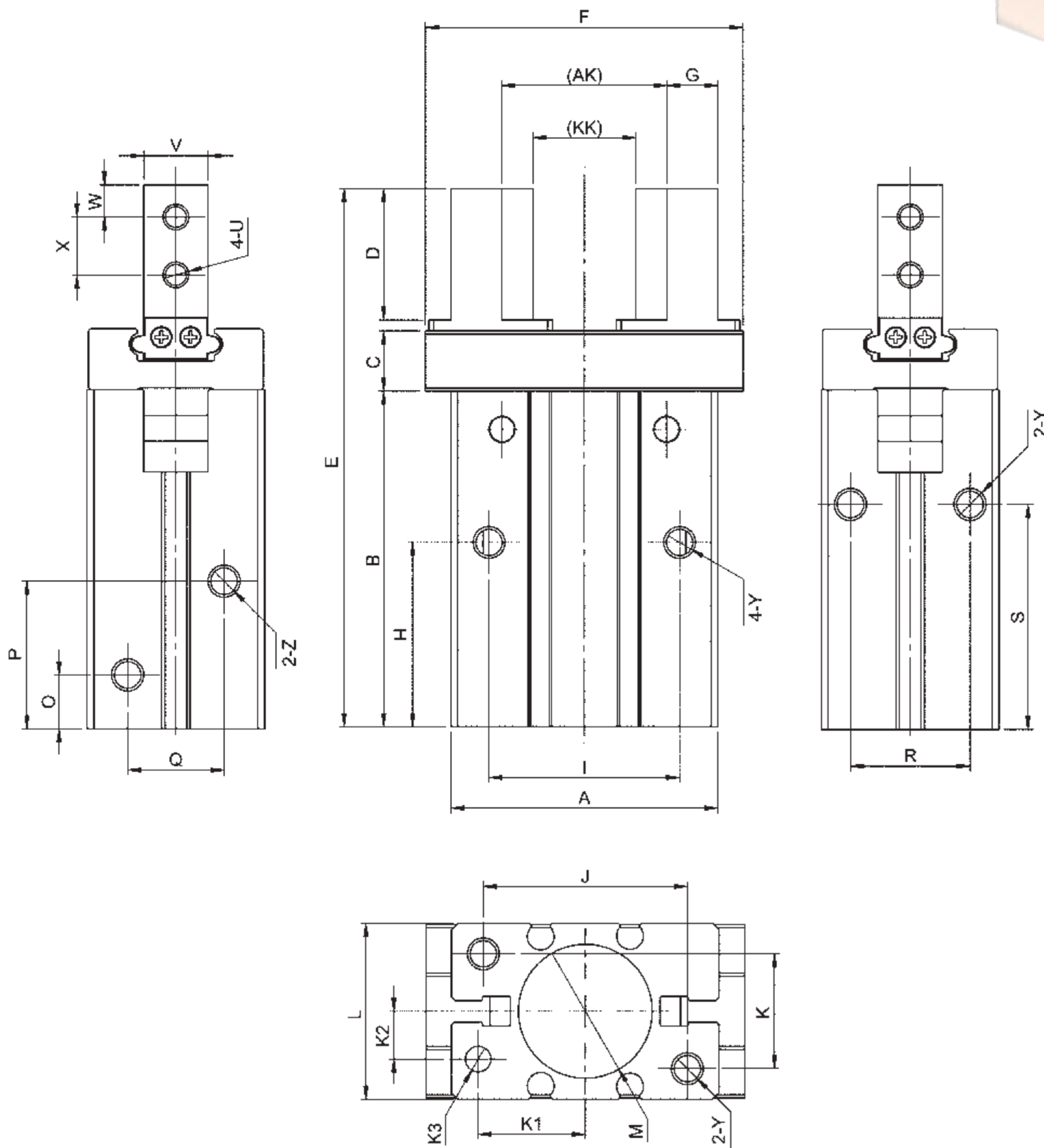
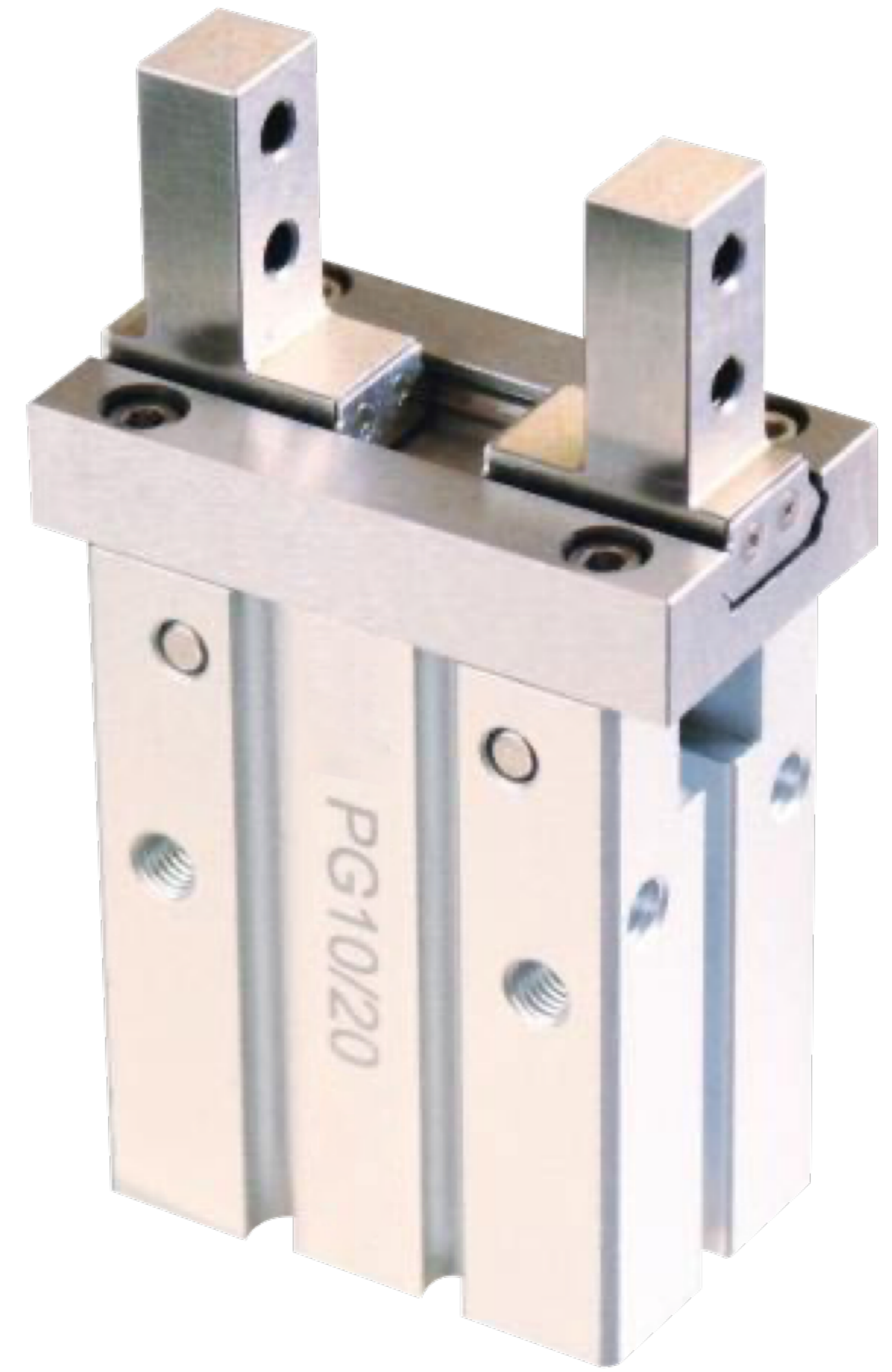


PG10

Pneumatic Parallel Grippers

- High performance
- Strong body structure
- Steel gripper with bearing guided on steel slide
- Easy fixing with prepared holes
- Easy air pipe connections
- Magnetic sensor adaptation on "C" or "T" channel
- Applied for clamping and moving



Order No	A	B	C	D	E	F	G	H	I	J	K	L	M	O	P	Q	K1	K2	K3	R	S	U	W	V	X	Y	Z	AK	KK
PG10/10	23	37.6	6	12.3	57	29	4	23	16	18	12	16.4	11	7	18.8	10	7.6	5.2	2	11.4	27	M2.5	3	5	5.7	M3	M3	14.8	11.4
PG10/16	30.6	42.5	7.5	15.5	67.3	38	5	24.5	24	22	15	23.6	17	7.1	18.5	13	11	6.5	3	16	30	M3	4	8	7	M4	M5	20.8	14.8
PG10/20	42	52.8	9.5	20.7	84.7	50	8	29	30	32	18	27.6	21	8.4	23	15	16.8	7.5	4	18.6	35	M4	5	10	9	M5	M5	26	16.2
PG10/25	52	63.6	11	15.5	102.7	63	10	30	36	40	22	33.6	26	9.5	23.5	19.5	21.8	10	4	22	36.5	M5	6	12	12	M6	M5	33.5	19.2

(mm)