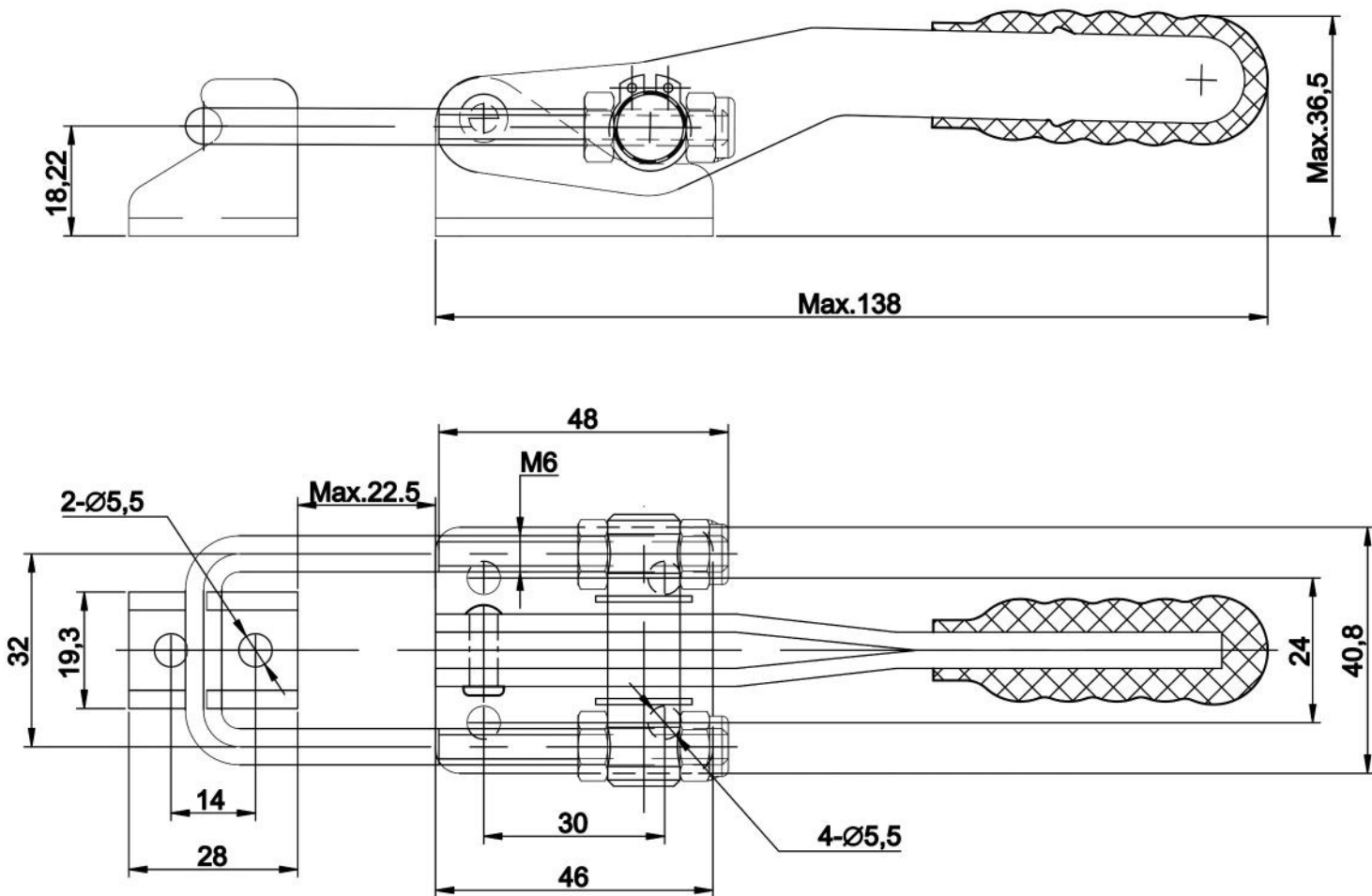


# DST-D348



Weight : 550g

Holding capacity : 7500N