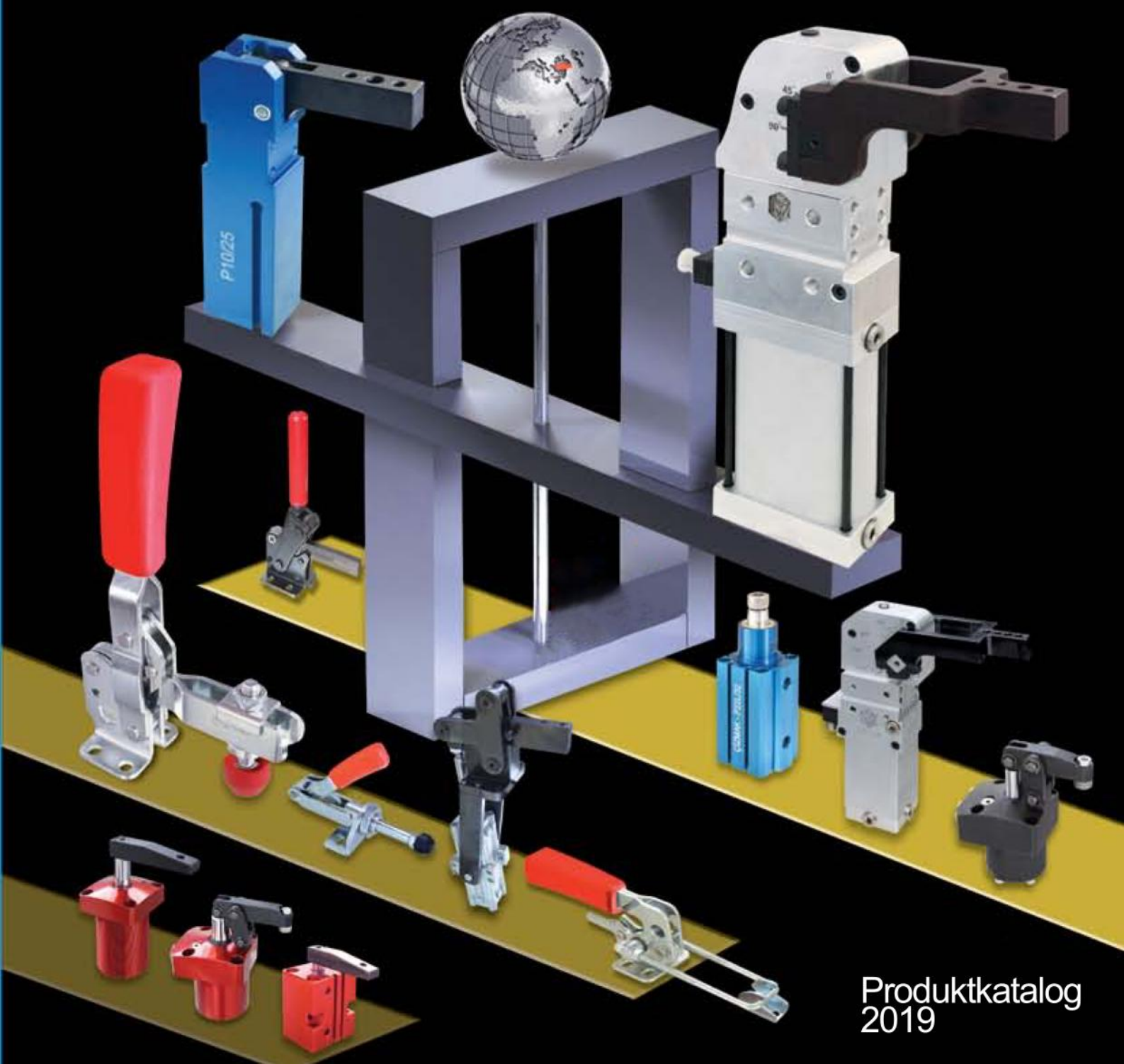


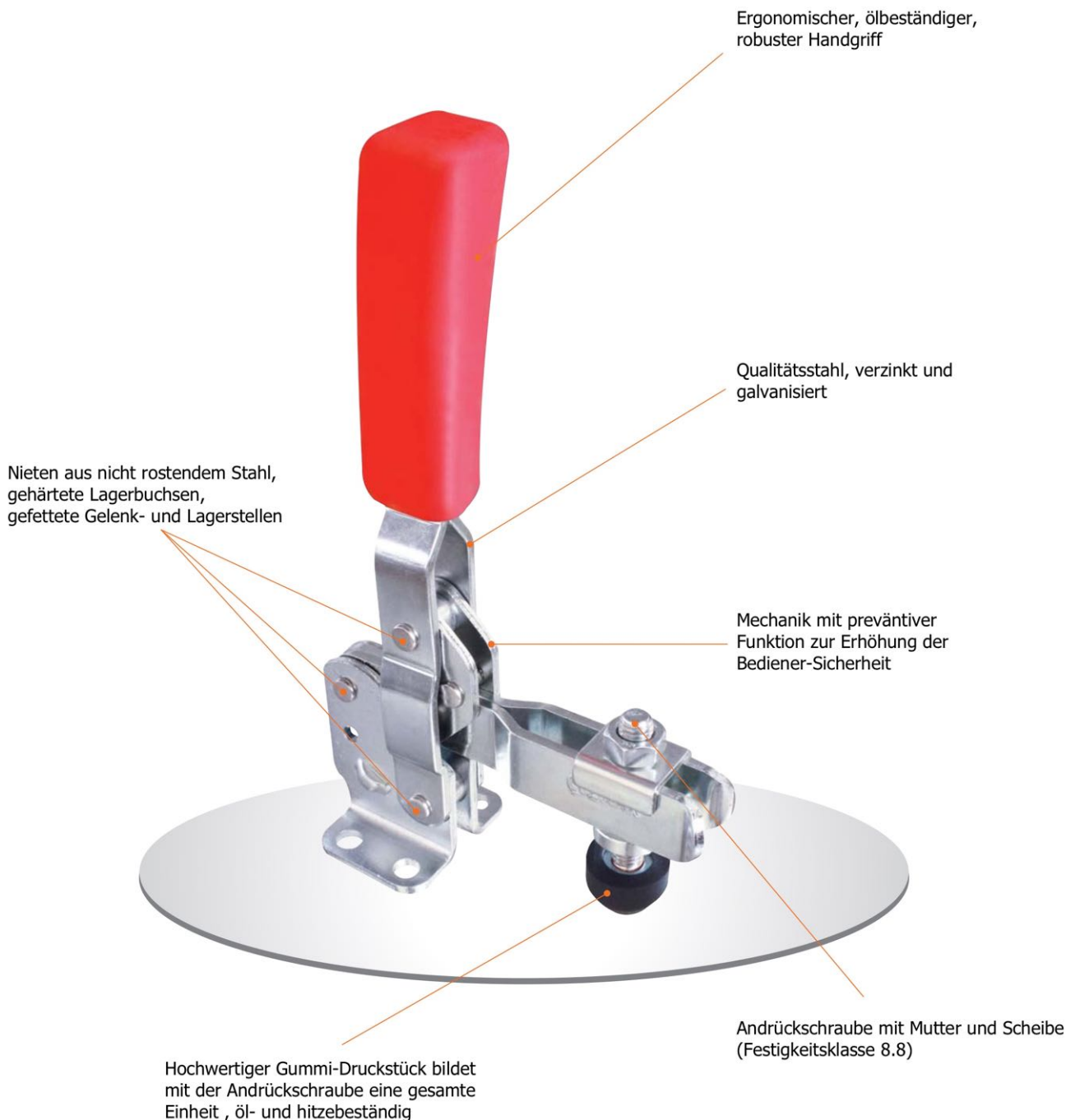
DESETEC SPANNTÉCHNIK

M-Serie Manuelle Spannelemente
- Waagrechtspanner



Richtige Produkte für eine perfekten Lösung !

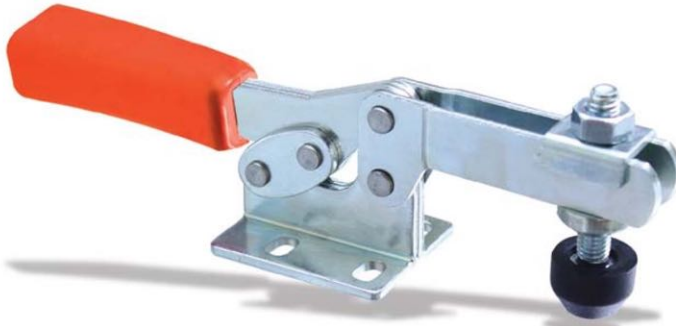
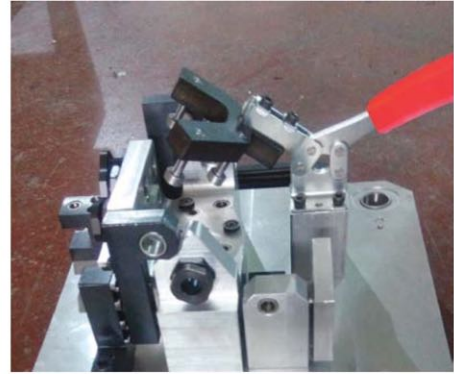
Schnellspanner von DESETEC...die richtige Wahl für die richtige Lösung !
toggle clamps..



M20 Waagrechtspanner-Horizontalspanner waagrechtster Fuß

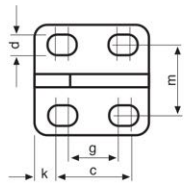
M20

Horizontal acting toggle clamps
Zinc plated; with red oil resistant plastic handle.
Bushes case-hardened and greased.
Supplied complete with clamping screw and rubber nose.

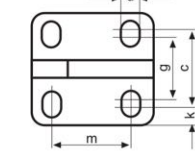


Size	F1 (kN)	F2 (kN)			hw		
0	0.25	0.40	23	85	-5 ± 2	M4 x 25	37
1	0.80	1.10	30	128	-4 ± 3	M5 x 30	112
2	1.00	1.20	44	158	-3 ± 6	M6 x 35	182
3	1.80	2.50	48	221	-1 ± 11	M8 x 45	340
4	2.00	3.00	74	293	-6 ± 23	M8 x 65	700
5	3.00	5.00	71	330	-1 ± 25	M8 x 65	1170

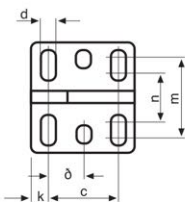
Size	a	b	c	d	e	f	g	h	i	k	l	m	n	q
0	4	25	16	4.1	11	10	11	15	7	4	-	16	-	2
1	5	40	24	5.2	26	11	19.5	20	10	5.5	-	23	20.5	5
2	6	51	26	5.4	28	12	-	30	13.5	6	13	30	22	6
3	8	72	28	6.5	44	22	21.5	33	15	7	-	25.5	21	8
4	10	111	41	8.5	66	34	-	44	20	8	20	44.5	29	8
5	12	120	43.5	8.5	78	30	-	46	25	-	26	-	-	10



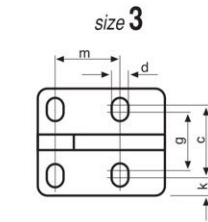
size 0



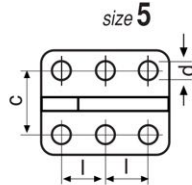
size 1



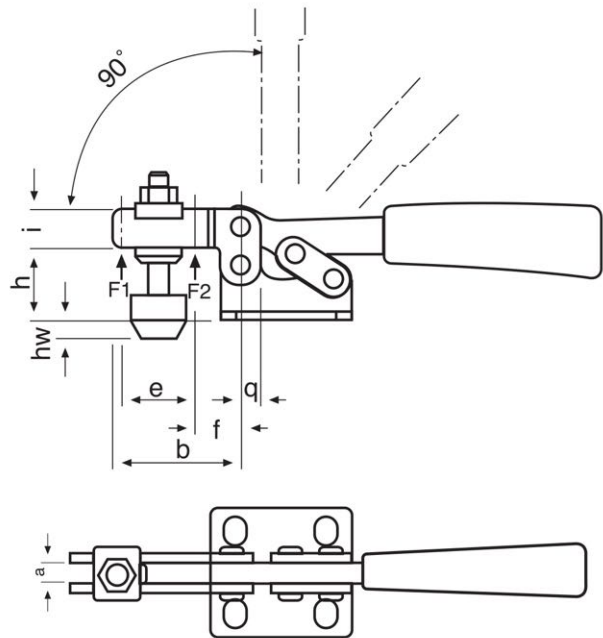
size 2-4



size 3



size 5



M21 Waagrechtspanner-Horizontalspanner senkrechter Fuß

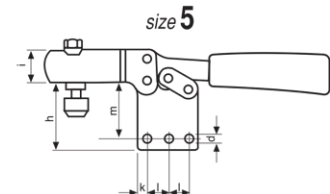
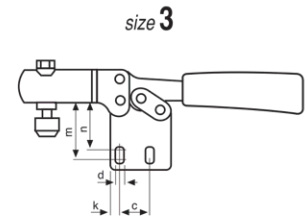
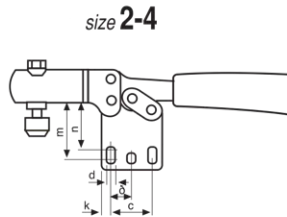
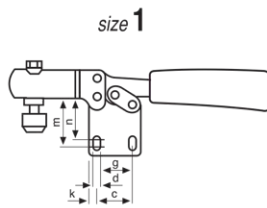
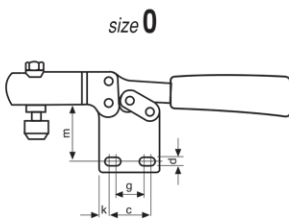
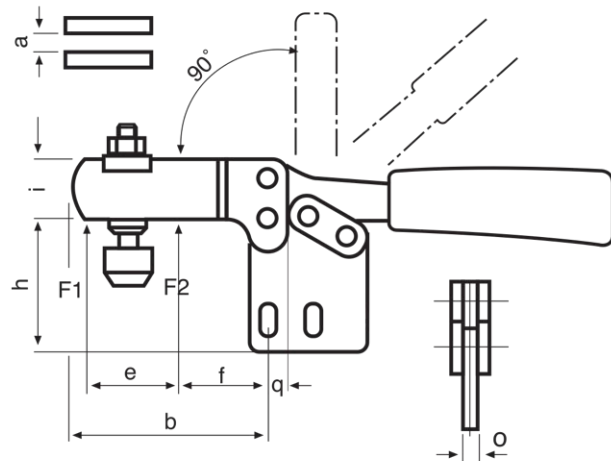
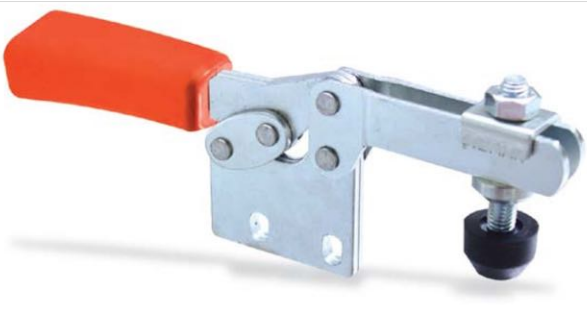
M21

Horizontal acting toggle clamps

Zinc plated, with red oil resistant plastic handles, bushes case hardened and greased, supplied complete with clamping screw and rubber nose.

Size	F1 (kN)	F2 (kN)			hw		
0	0.25	0.40	32	85	0 ÷ 7	M4 x 25	37
1	0.8	1.10	42	128	3 ÷ 10	M5 x 30	112
2	1.0	1.20	59	158	7 ÷ 16	M6 x 35	182
3	1.80	2.50	63	221	8 ÷ 20	M8 x 45	340
4	2.00	3.00	96	293	9 ÷ 38	M8 x 65	700
5	3.00	5.00	93	330	13 ÷ 37	M8 x 65	1170

Size	a	b	c	d	e	f	g	h	i	k	l	m	n	o	q
0	4	25	16	4.1	11	10	11	24	7	4	-	21	-	3	2
1	5	40	23	5.2	26	11	24	32	10	5.5	-	28	25	5	5
2	6	51	26	5.4	28	12	-	46	13.5	6	13	43	38	5	6
3	8	72	25.5	6.5	44	22	-	49	15	7	-	43	38	6	8
4	10	111	41	8.5	66	34	-	66	20	8	20.5	60	53	8	8
5	12	120	-	8.5	78	10	10	68	25	7	26	60	12	22	23



M22 Waagrechtspanner-Horizontalspanner Winkelfuß

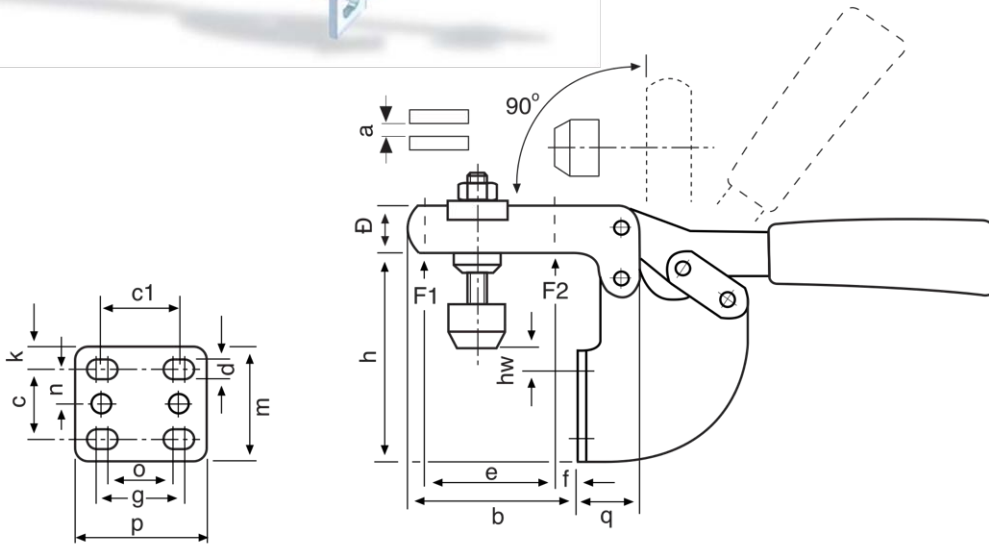
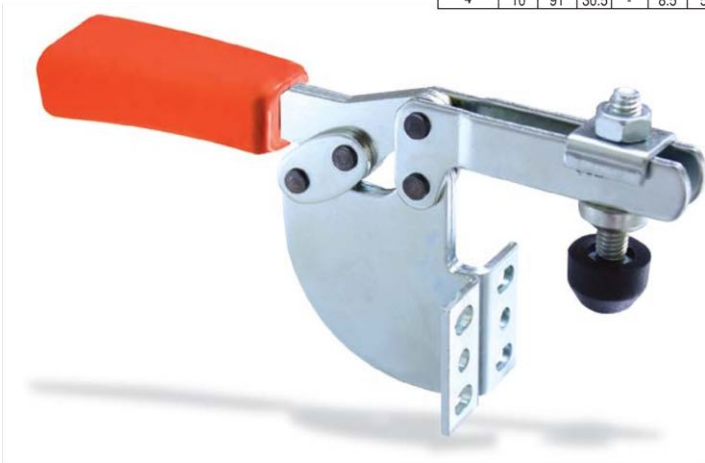
M22

Horizontal acting toggle clamps

Zinc plated, with red oil resistant plastic handles, bushes case hardened and greased, supplied complete with clamping screw and rubber nose.

Size	F1 (kN)	F2 (kN)			hw		
1	0.8	1.1	68	128	3÷10	M5 x 30	170
2	1.0	1.2	94	155	20÷29	M6 x 35	250
3	1.8	2.5	86	221	6÷18	M8 x 45	400
4	2	3	97	261	12÷40	M8 x 65	750

Size	a	b	c	c1	d	e	f	g	h	i	k	m	n	o	p	q
1	5	30.5	13.5	19.5	5.2	26	4	-	58	10	6	28	-	-	31	15
2	6	38	18.5	-	5.5	26	10	27	80.5	13.5	6	32	9.5	19	40.5	17
3	8	58	24	-	6.5	42	8	28	72	15	7	38	12	21	23	41
4	10	91	30.5	-	8.5	52	11	37.5	93.5	20	7.5	77	16	30.5	56	28

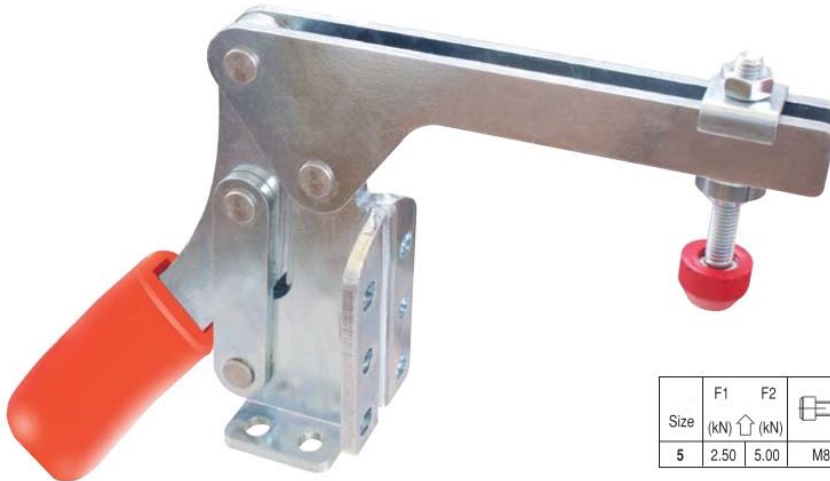


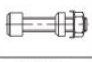

M25 Waagrecht- und Senkrechtspanner

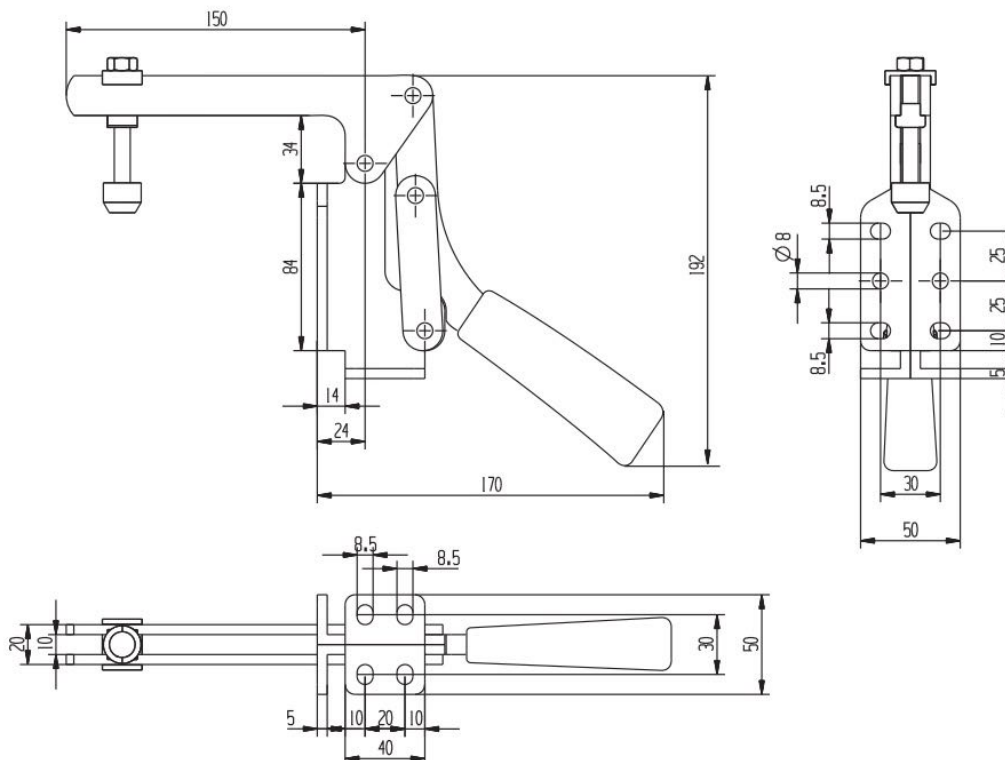
M25

Horizontal and vertical acting toggle clamps

Zinc plated; with red oil resistant plastic handle. Bushes case-hardened and greased.
 Supplied complete with clamping screw and rubber nose.

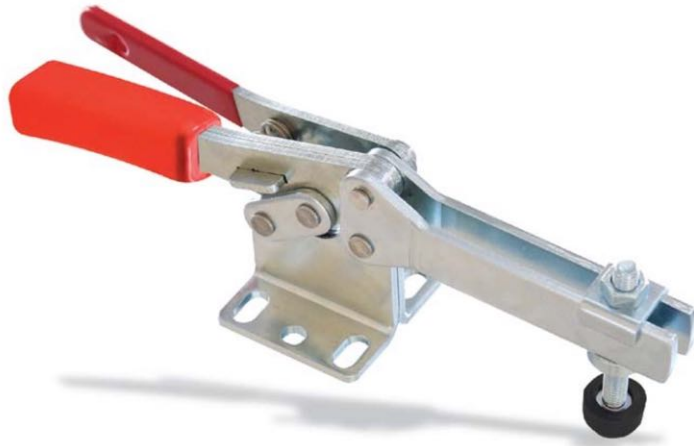


Size	F1 (kN)	F2 (kN)		 g
5	2.50	5.00	M8 x 65	1.560



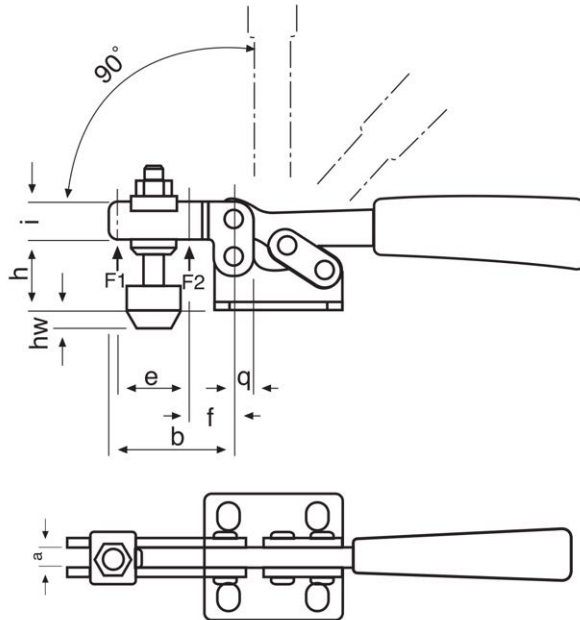
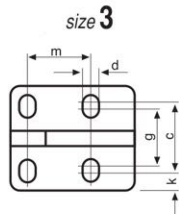
M20S Waagrechtspanner mit Sicherheitsverriegelung

M20S



Size	F1 (kN)	F2 (kN)			hw		
3	1.8	2.5	48	221	-1 ÷ 11	M8 x 45	340

Size	a	b	c	d	e	f	g	h	i	k	l	m	n	q
3	8	72	28	6.5	44	22	21.5	33	15	7	-	25.5	21	8

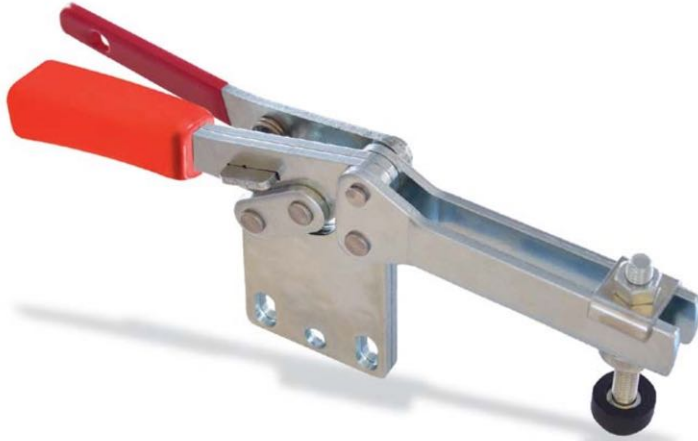


M21S Waagrechtspanner mit Sicherheitsverriegelung

M21S

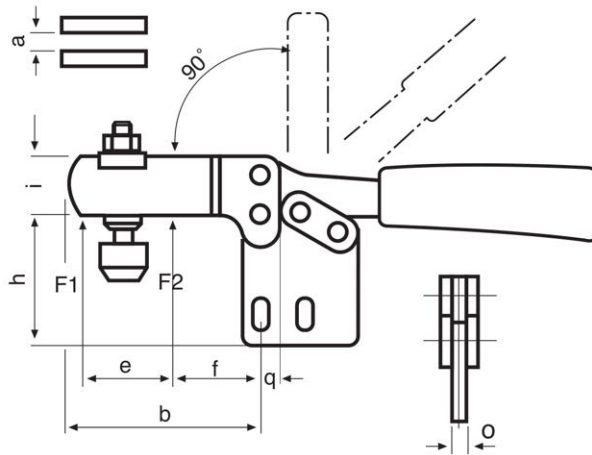
Horizontal toggle clamp with release lever

Zinc plated, with red oil resistant plastic handles, bushes case hardened and greased, supplied complete with clamping screw and rubber nose.

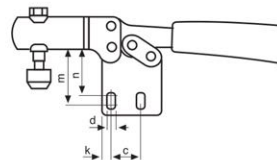


Size	F1 (kN)	F2 (kN)				
3	1.8	2.5	63	221	M8 x 45	340

Size	a	b	c	d	e	f	h	i	k	l	m	n	o	q
3	8	72	25.5	6.5	44	22	49	15	7	-	43	38	6	8



size 3



M22S Waagrechtspanner mit Sicherheitsverriegelung

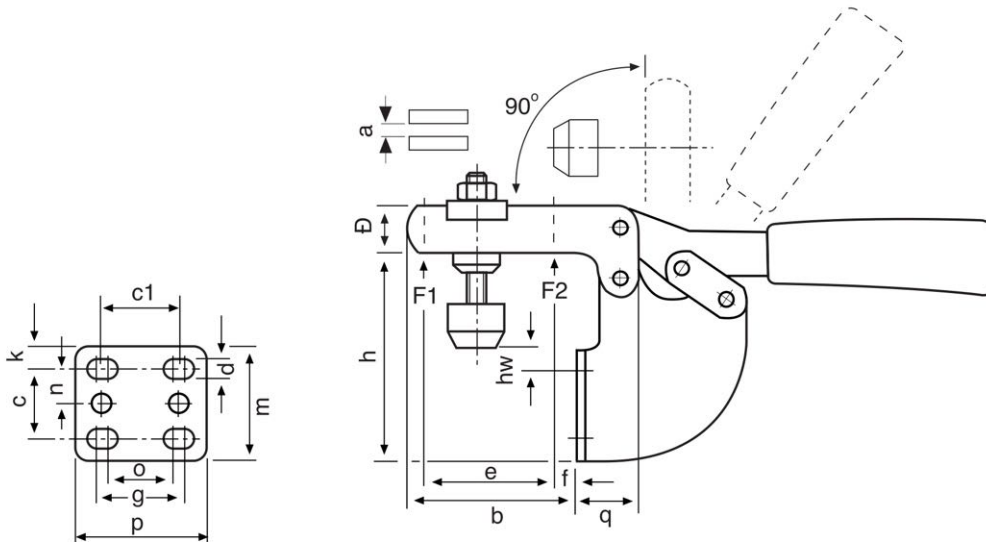
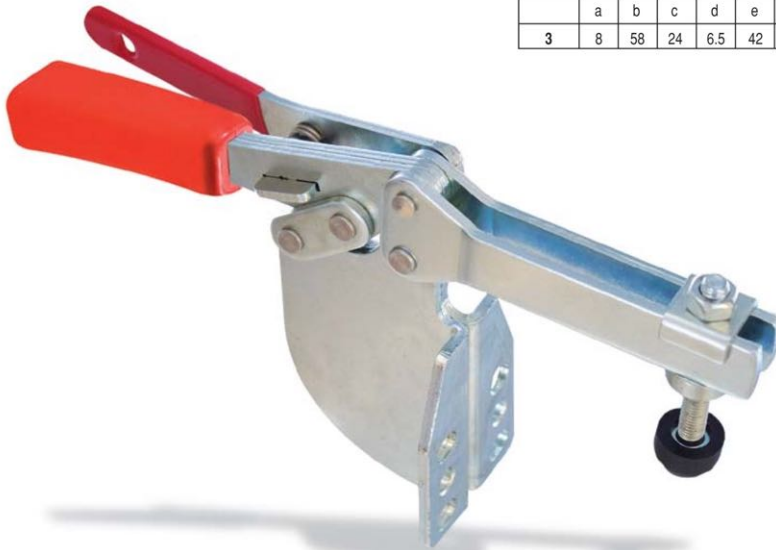
M22S

Horizontal toggle clamp with release lever

Zinc plated, with red oil resistant plastic handles, bushes case hardened and greased, supplied complete with clamping screw and rubber nose.

Size	F1 (kN)	F2 (kN)			hw		
3	1.8	2.5	86	221	6±18	M8 x 45	400

	a	b	c	d	e	f	g	h	i	k	m	n	o	p	q
3	8	58	24	6.5	42	8	28	72	15	7	38	12	21	23	41



M20P Waagrechtspanner – rostfreie Version

M20P

Horizontal acting toggle clamps

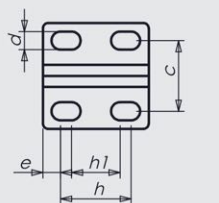
Zinc plated; with red oil resistant plastic handle.
Bushes case-hardened and greased.

Supplied complete with clamping screw and rubber nose.

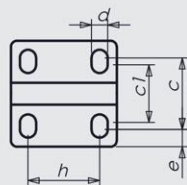


Size	F1 (kN)	F2 (kN)				
0	0.25	0.40	23	85	M4 x 25	37
1	0.80	1.10	30	128	M5 x 30	112
2	1.00	1.20	44	158	M6 x 35	182
3	1.80	2.50	48	221	M8 x 45	340

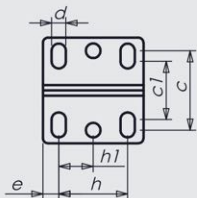
Size	b	b1	c	c1	d	e	g	h	h1	l	l1	s	q
0	25	2	16	-	4.1	4	11	16	11	15	7	4	10
1	40	5	24	19.5	5.2	5.5	26	23	-	20	10	5	11
2	51	6	26	22	5.4	6	28	26	13	30	13.5	6	12
3	72	8	28	21	6.5	7	44	25.5	-	33	15	8	22



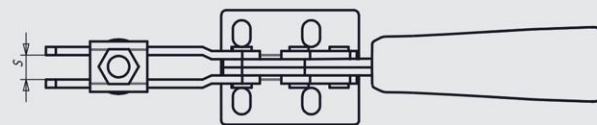
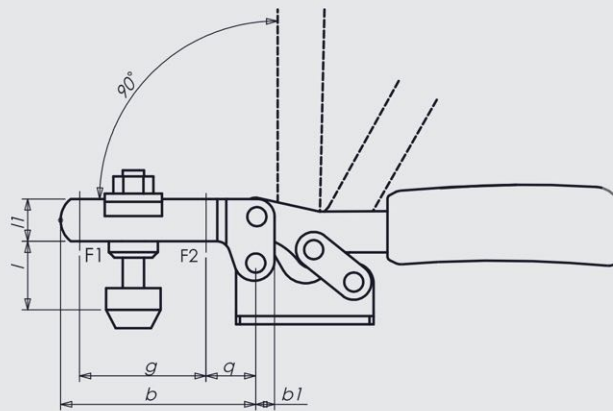
size 0



size 1-3



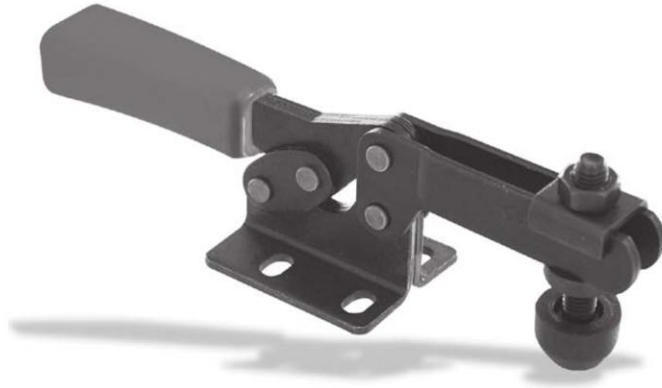
size 2



M20K Waagrechtspanner für optische Messtechnik

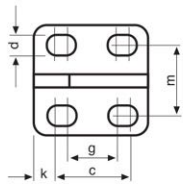
M20K

Horizontal acting toggle clamps - black
Matte-black body with black oil resistant plastic handle.
Bushes case-hardened and greased.
Supplied complete with clamping screw and rubber nose.

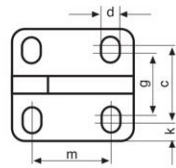


Size	F1 (kN)	F2 (kN)		hw			
0	0.25	0.40	23	85	-5 ± 2	M4 x 25	37
1	0.80	1.10	30	128	-4 ± 3	M5 x 30	112
2	1.00	1.20	44	158	-3 ± 6	M6 x 35	182
3	1.80	2.50	48	221	-1 ± 11	M8 x 45	340

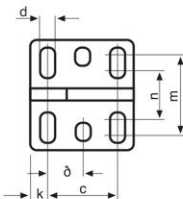
Size	a	b	c	d	e	f	g	h	i	k	l	m	n	q
0	4	25	16	4.1	11	10	11	15	7	4	-	16	-	2
1	5	40	24	5.2	26	11	19.5	20	10	5.5	-	23	20.5	5
2	6	51	26	5.4	28	12	-	30	13.5	6	13	30	22	6
3	8	72	28	6.5	44	22	21.5	33	15	7	-	25.5	21	8



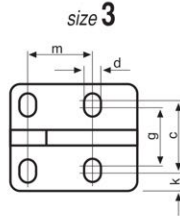
size 0



size 1



size 2



size 3

