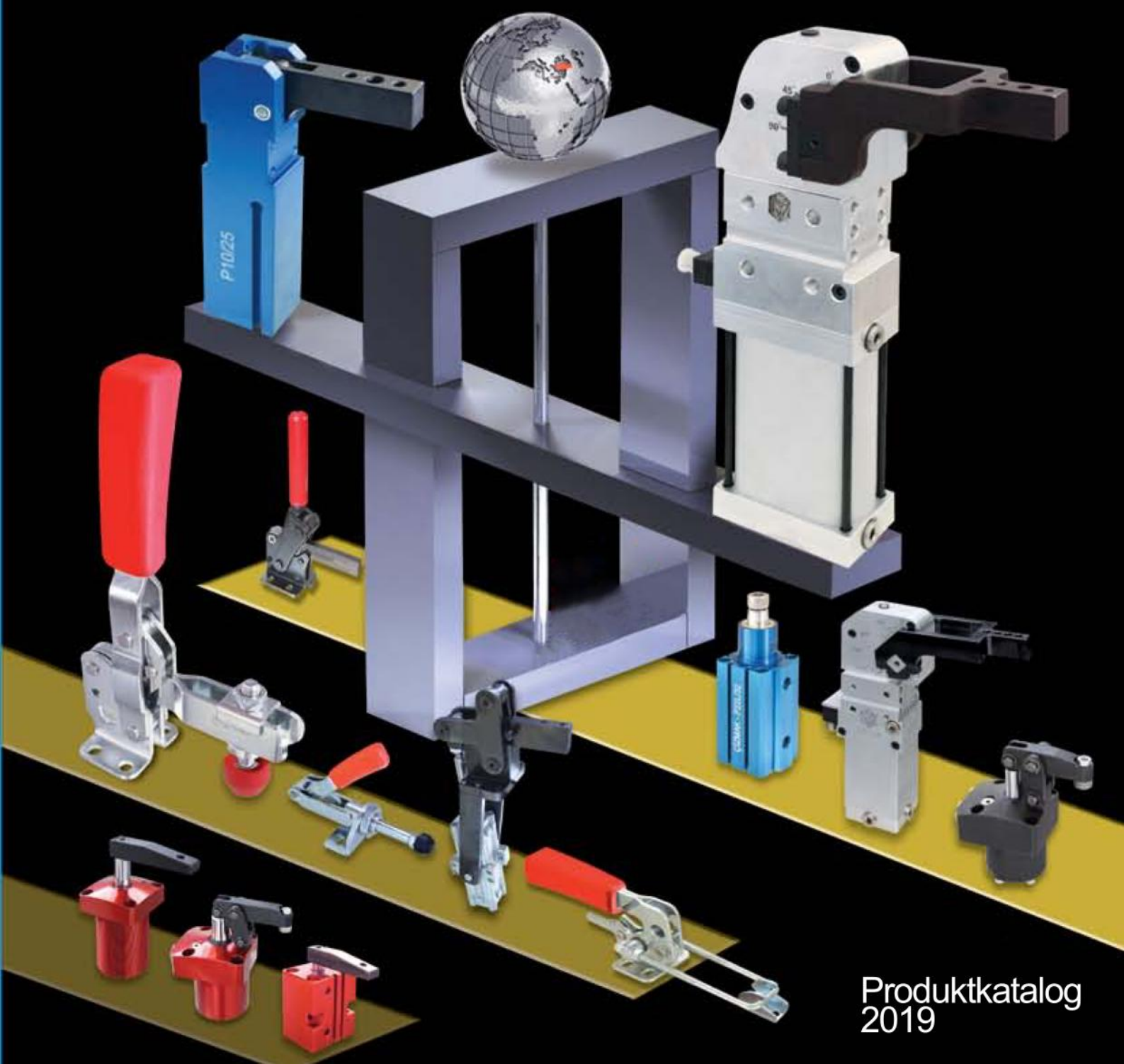


# DESETEC SPANNTÉCHNIK

M-Serie Manuelle Spannelemente  
- Schubstangenspanner



**Richtige Produkte für eine perfekten Lösung !**

**Schnellspanner von DESETEC...die richtige Wahl für die richtige Lösung !**  
**toggle clamps..**

Ergonomischer, ölbeständiger, robuster Handgriff

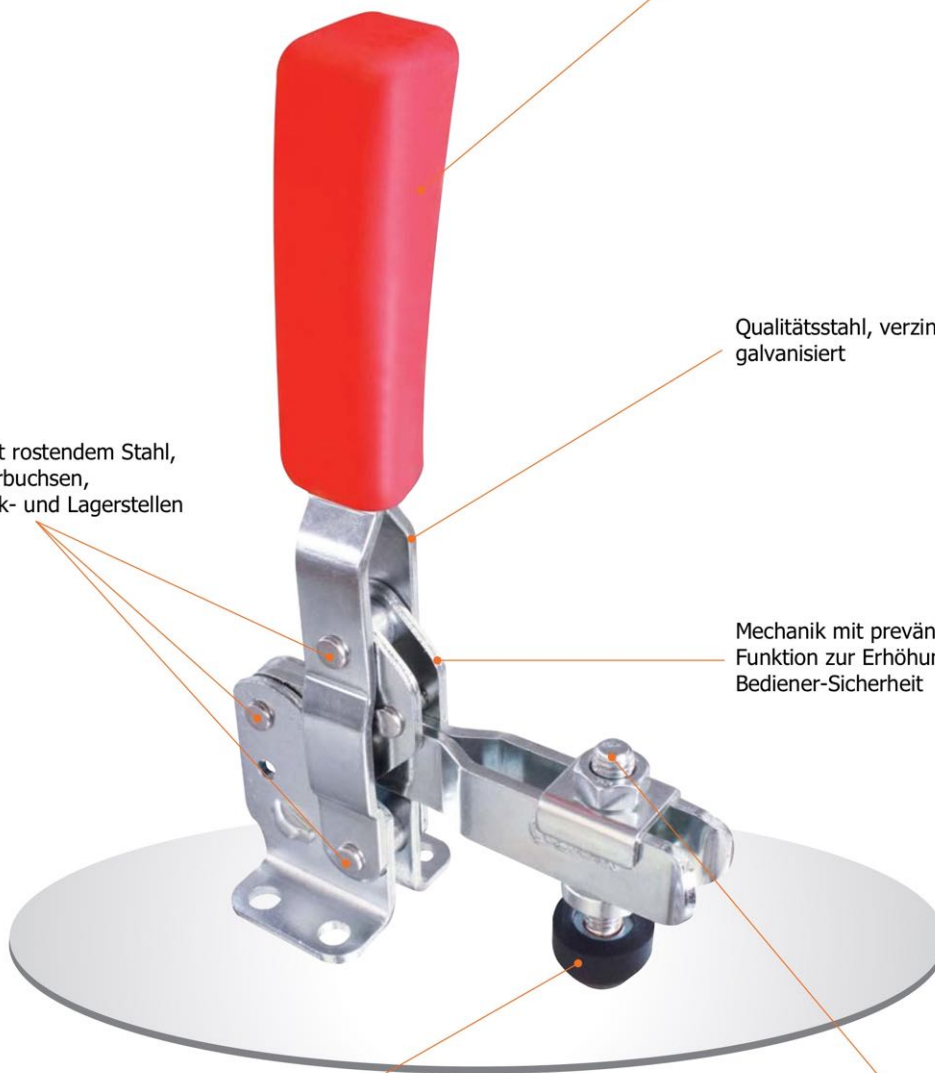
Qualitätsstahl, verzinkt und galvanisiert

Mechanik mit preväntiver Funktion zur Erhöhung der Bediener-Sicherheit

Andrückschraube mit Mutter und Scheibe (Festigkeitsklasse 8.8)

Nieten aus nicht rostendem Stahl, gehärtete Lagerbuchsen, gefettete Gelenk- und Lagerstellen

Hochwertiger Gummi-Druckstück bildet mit der Andrückschraube eine gesamte Einheit , öl- und hitzebeständig

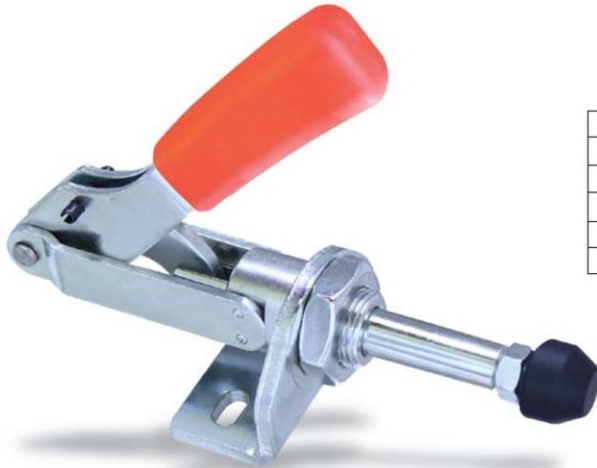


M60 Schubstangenspanner mit kleinem Winkelfuß

M60

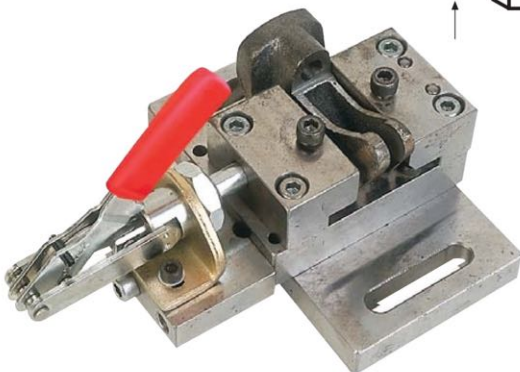
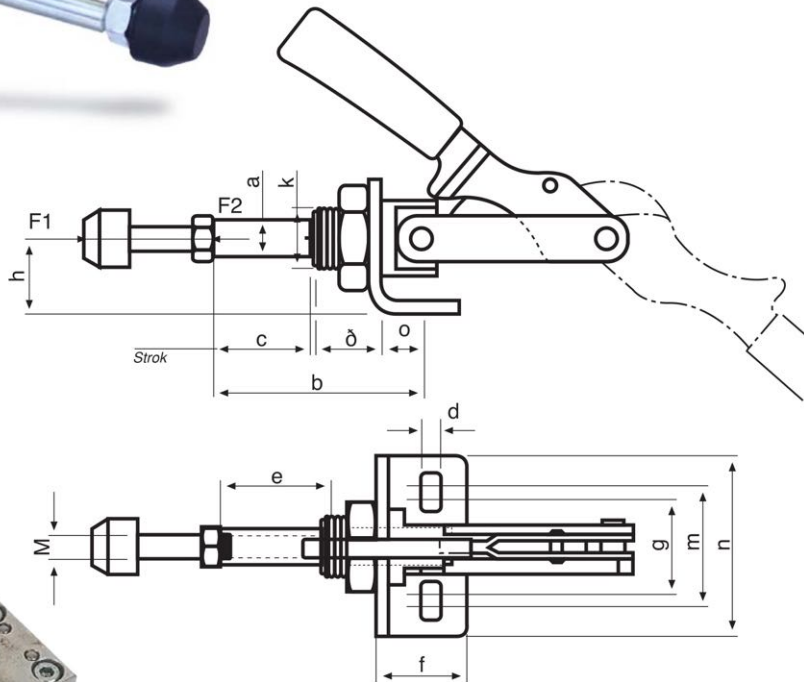
Push-pull type toggle clamps

All parts are zinc plated; with red oil resistant plastic handle.  
Bushes case-hardened and greased.  
Stainless steel pivots.  
Supplied complete with clamping screw and rubber nose.



Size	F1 (kN)	F2 (kN)				
0	0.8	0.8	40	110	M4 x 20	80
1	1.0	1.0	58	120	M4 x 20	120
2	2.0	2.0	80	175	M6 x 25	270
3	2.5	2.5	102	190	M8 x 35	450
5	4.5	4.5	123	230	M12 x 50	960

Size	a	b	c	d	f	g	h	k	l	m	n	o
0	6	34.5	16	4.5	16.5	16	12	M10 x 1	10	16	25	7
1	8	44	20	4.5	20	15	15.5	M12 x 1.5	13.5	20	30	7
2	10	59	28	5.5	28	28.5	22	M16 x 1.5	16	39.5	50	12.5
3	12	70	32	6.5	32	30	27	M20 x 1.5	19	42	60.5	15
5	16	82	40	8.5	36	28	30	M24 x 1.5	26	46	65	15





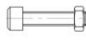

M61 Schubstangenspanner ohne Konsole

M61

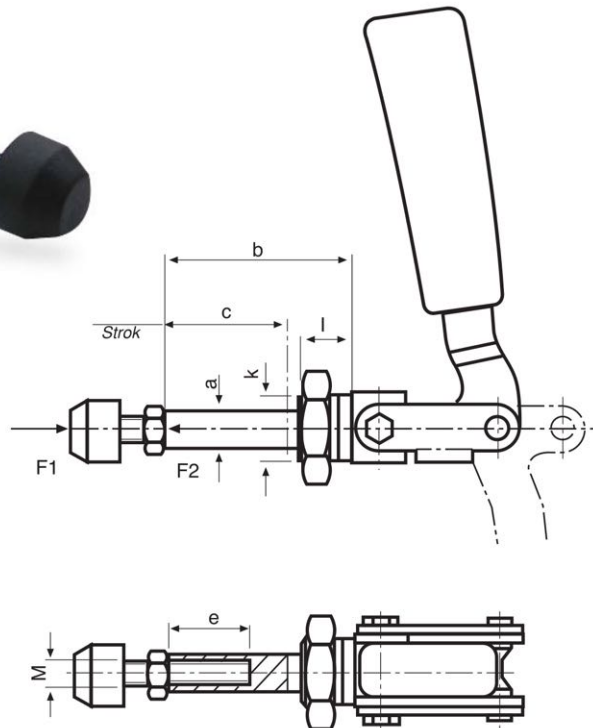
**Push-pull type toggle clamps**

All parts are zinc plated; with red oil resistant plastic handle.  
Bushes case-hardened and greased.  
Stainless steel pivots.  
Supplied complete with clamping screw and rubber nose.



Size	F1 (kN)	F2 (kN)				
2	1.0	1.0	85	70	M6 x 35	130
3	2.5	2.5	135	110	M8 x 35	320
5	4.0	4.0	155	175	M12 x 50	1200

Size	a	b	c	e	k	l	M
2	10	14-35	21	15	M16 x 1.5	13	M6
3	12	18-56	38	25	M20 x 1.5	16	M8
5	16	25-92	67	35	M24 x 1.5	22	M12



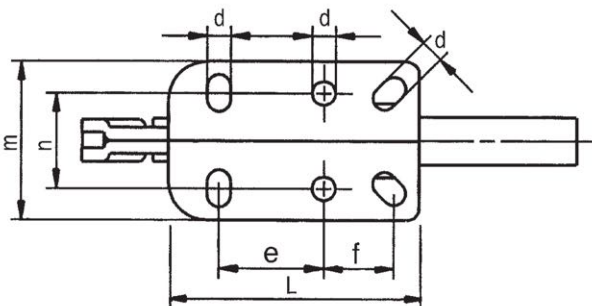
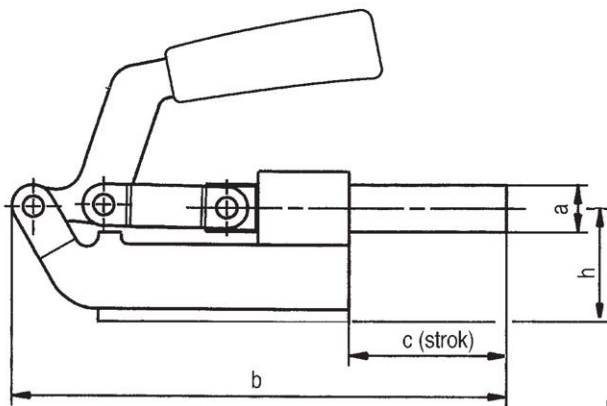
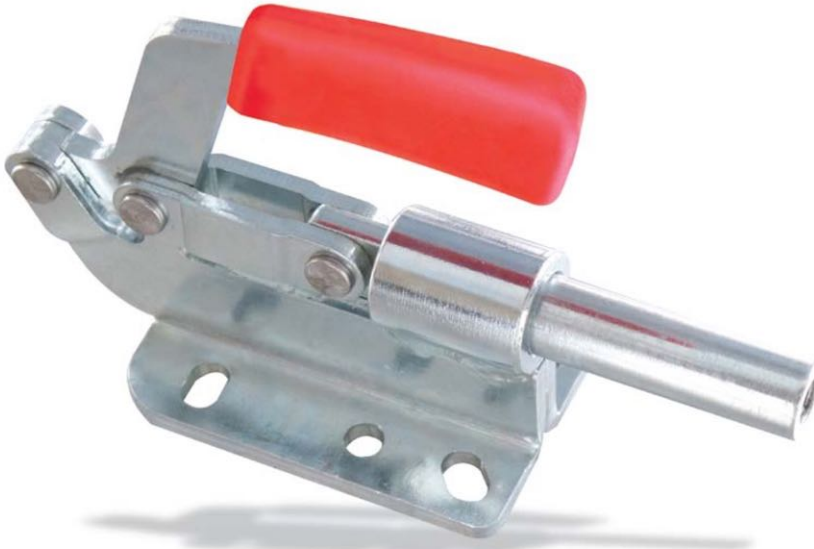


## M62 Schubstangenspanner

## M62

*Push-pull type toggle clamps*

*All parts are zinc plated; with red oil resistant plastic handle.  
Bushes case-hardened and greased. Stainless steel pivots.*



Size	F1 (kN)	F2 (kN)				
3	2.0	2.0	95	186	M8 x 45	500
5	4.0	4.0	115	190	M10 x 40	950

Size	a	b	c	d	e	f	h	l	m	n
3	14	134	32	6.5	30	37	32.5	100	55	32.5
5	18	190	44	9	40	26.8	44	96	60	36

M64 Schubstangenspanner – schwere Ausführung

M64

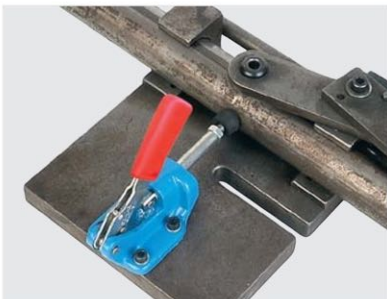
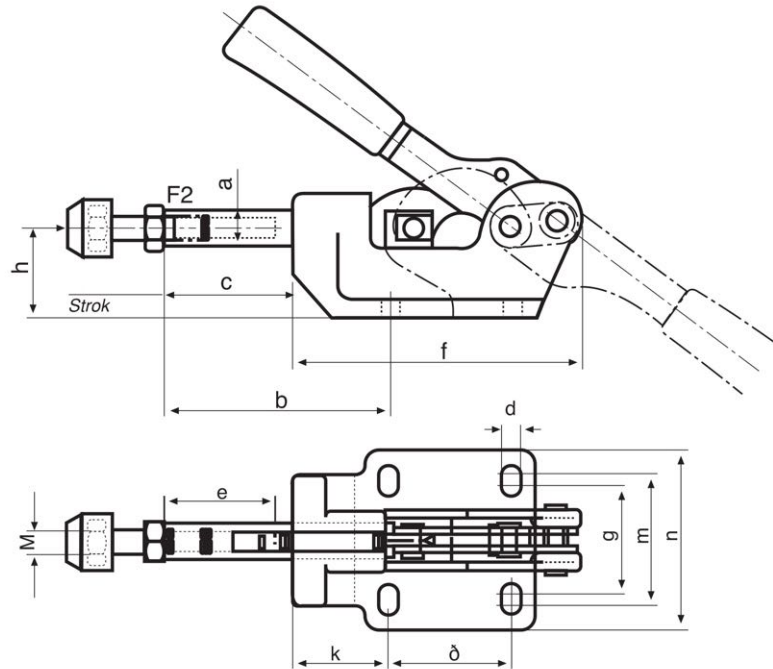
Push-pull type toggle clamps

All parts are zinc plated; with red oil resistant plastic handle.  
Bushes case-hardened and greased. Stainless steel pivots. Supplied complete with clamping screw  
and rubber nose.

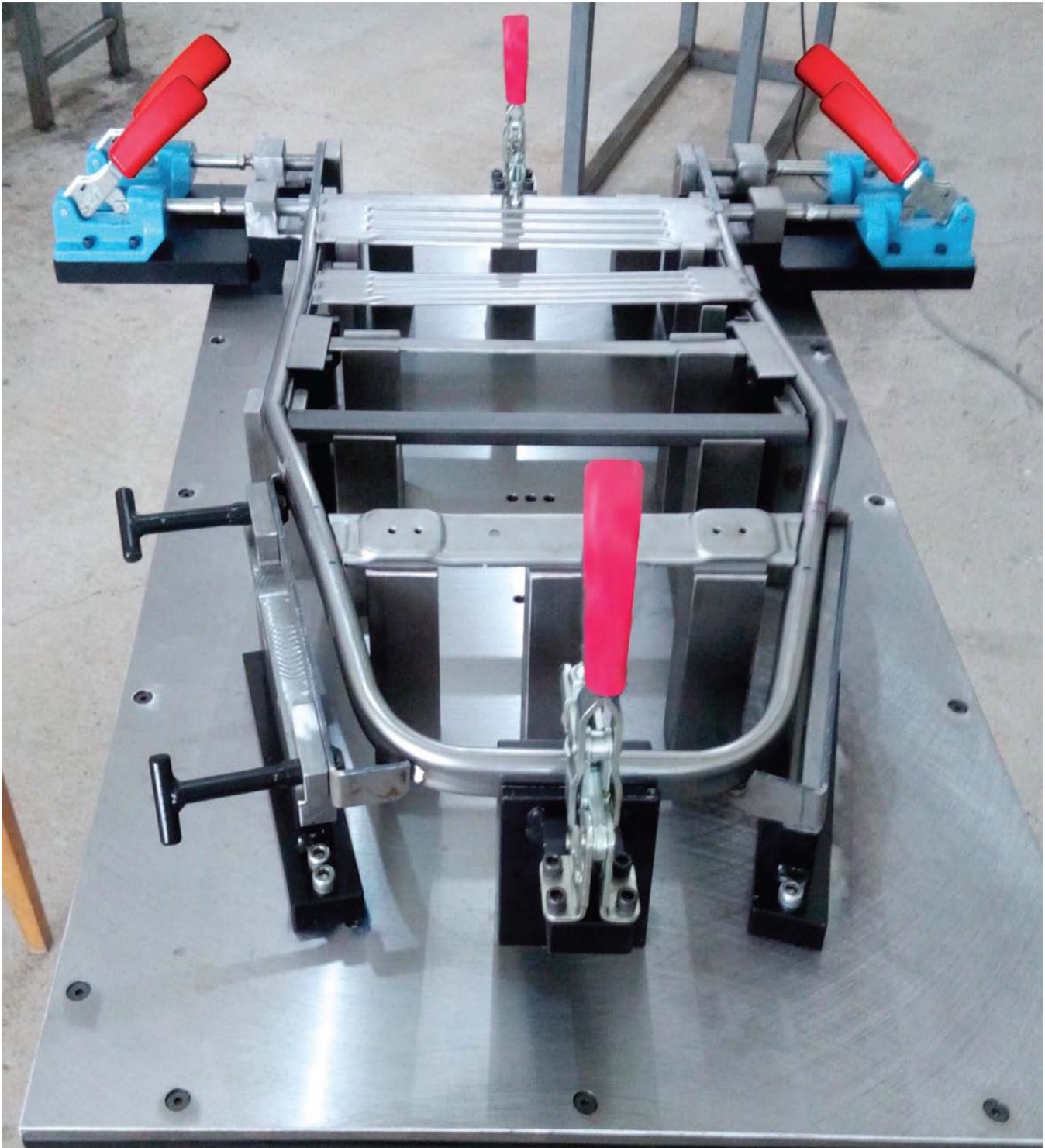


Size	F1 (kN)	F2 (kN)				
3	4.0	4.0	115	191	M8 x 35	630
5	10.0	10.0	133	245	M12 x 50	1620
7	25.0	25.0	170	333	M12 x 50	3610

Size	a	b	c	d	e	f	g	h	k	l	m	n
3	12	72	32	6.5	30	99	36	32	28	40	43	63
5	16	86	40	8.5	45	128	43.5	42.5	35	75	53	72
7	22	98	50	11.5	45	163	65	55	40	100	73	96



## M64 Anwendungsbeispiel



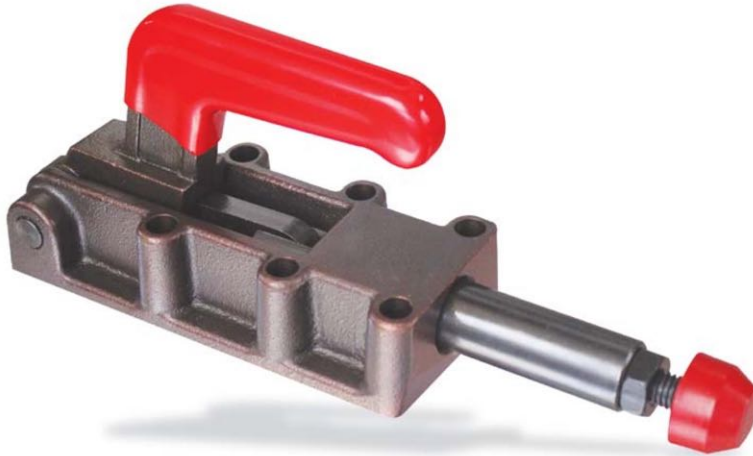


M66 Schubstangenspanner – schwere Ausführung

M66

Heavy Push-pull type toggle clamps

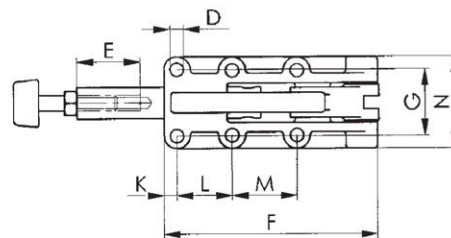
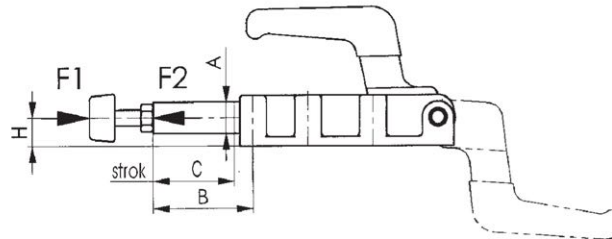
Heavy duty type with long rod-guide. Base of malleable casting, burnished. Lever-parts and rod of tempering steel, burnished. Hardend bolts, maintenancefree sintered bushes. Handle made of red oil-resistant plastic. Complete with tempered clamping screw.



Size	F1 (kN)	F2 (kN)				
4	7	7	65	122	M8 x 35	600
5	12	12	95	185	M10 x 50	1800



/ Size	a	b	c	d	e	f	g	h	k	l	m	n
4	14	56	30.5	5.5	40	90	33.3	12	23	36.5	-	49
5	20	63	50	8.5	50	134	41.0	18	8	35	41	62



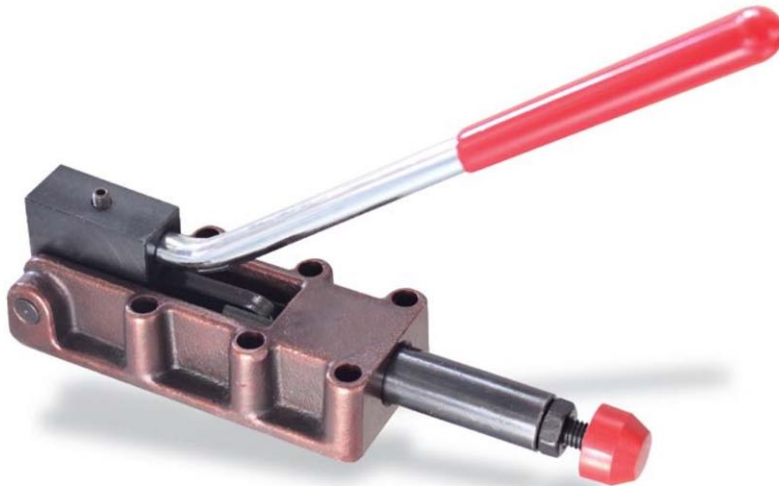


M66C Schubstangenspanner – schwere Ausführung

M66C

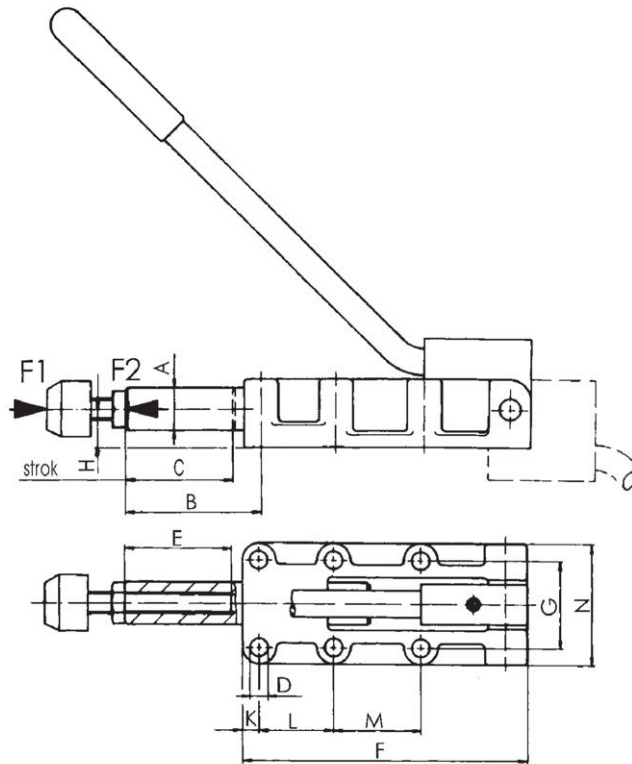
**Heavy Push-pull type toggle clamps**

Heavy duty type with long rod-guide.  
Base of malleable casting, burnished. Lever-parts and rod of tempering steel, burnished.  
Hardend bolts, maintenancefree sintered bushes.  
Lever galvanized and passivated.  
Handle made of red oil-resistant plastic. Complete with tempered clamping screw.



Size	F1 (kN)	F2 (kN)				
4	7	7	65	122	M8 x 35	600
5	12	12	95	185	M10 x 50	1800

Size	a	b	c	d	e	f	g	h	k	l	m	n
4	14	56	30.5	5.5	40	90	33.3	12	23	36.5	-	49
5	20	63	50	8.5	50	134	41.0	18	8	35.5	40.5	62

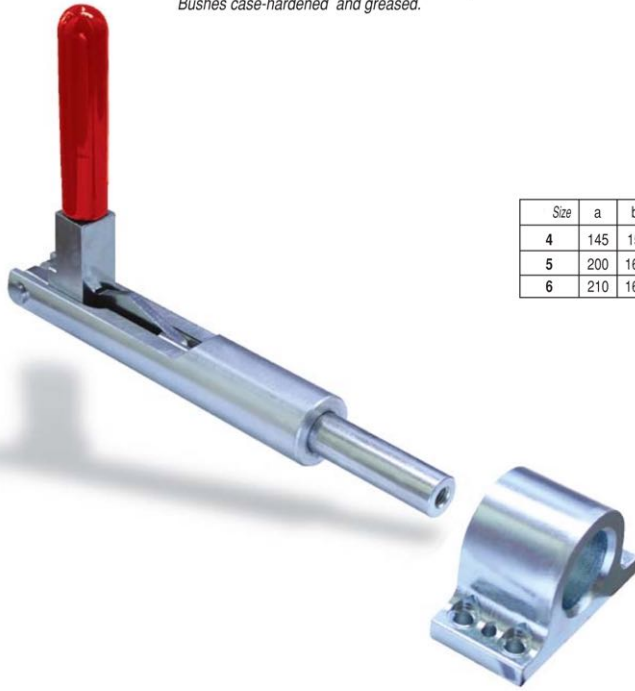


M68 Schubstangenspanner

M68

Push-pull type toggle clamps

All parts are zinc plated; with red oil resistant plastic handle.  
 Bushes case-hardened and greased.



Size	F1 (kN)	F2 (kN)				
4	15.0	15.0	166	190	M10 x 40	2000
5	15.0	15.0	172	269	M10 x 40	2500
6	15.0	15.0	172	380	M10 x 40	2800

Size	a	b	c	d	e	h	s	m	n	ød	ø2d	ød1	ød2	VD
4	145	154	40	25	45	30	10	70	90	20	35	8	14	M10 x 40
5	200	160	64	25	45	30	10	70	90	20	35	8	14	M10 x 40
6	210	160	90	25	45	30	10	70	90	20	35	8	14	M10 x 40

